

OPPEIN

KITCHEN APPLIANCES

OPPEIN

OPPEIN HOME GROUP INC.

Add: #366, Guanghua 3rd Road, Baiyun District, Guangzhou, China
www.oppeinhome.com

+86-20-36730513 sales@oppein.com

[f](#) [in](#) [@](#) Oppein Home



360° Kitchen Showroom



360° Bathroom Showroom



360° Door Showroom

The World's Largest Cabinetry Manufacturer

KITCHEN APPLIANCES

CONTENTS

Kitchen Appliances Series

RANGE HOOD	01
COOKER	14
COOK CENTER	23
COMBI OVEN	29
DISINFECTION CABINET	39
DISHWASHER	40
REFRIGERATOR	42
RED WINE SHELF	42

Kitchen Accessories

SINK	45
FAUCET	50
STORAGE	55
WALL STORAGE	66
RICE BIN / GARBAGE BIN	67
KITCHEN SUPPLIES	69



KITCHEN RANGE HOOD

Kitchen Appliances Series **Range Hood**

CXW-180-E906TT T-shaped Range Hood

Product Type **Range Hood**



Hot-melt self-cleaning to free your hands

Intelligent high-temperature hot-melt cleaning function to clean more easily



Double chamber to clean out oil smoke

New fixed double chamber to double the smoke intake;



Gesture control providing cooking pleasure

Gesture control + linkage between range hood and cooker, enjoying easy cooking

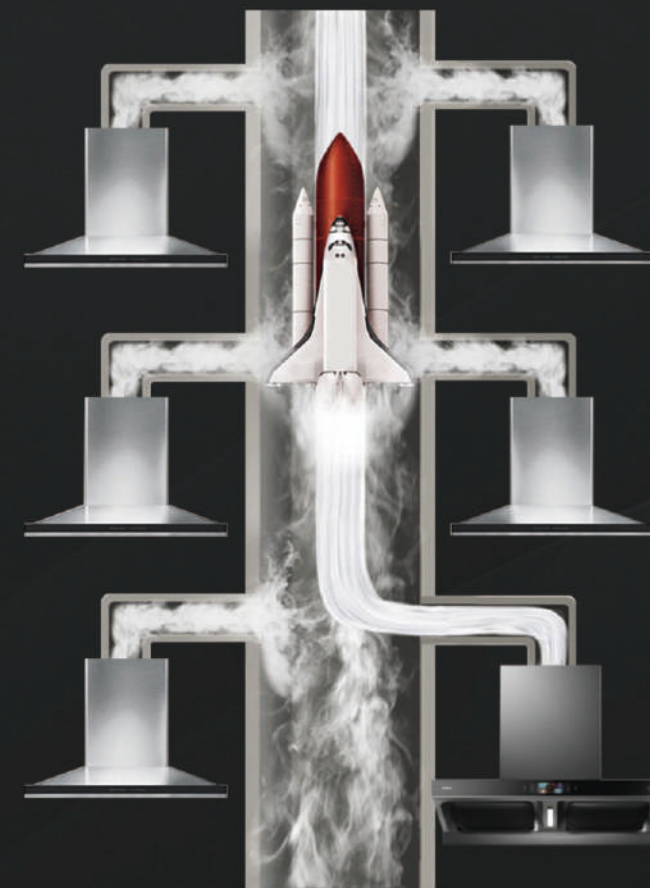


Deflect smoke smoothly with pebble

Design the pebble deflector to deflect smoke smoothly

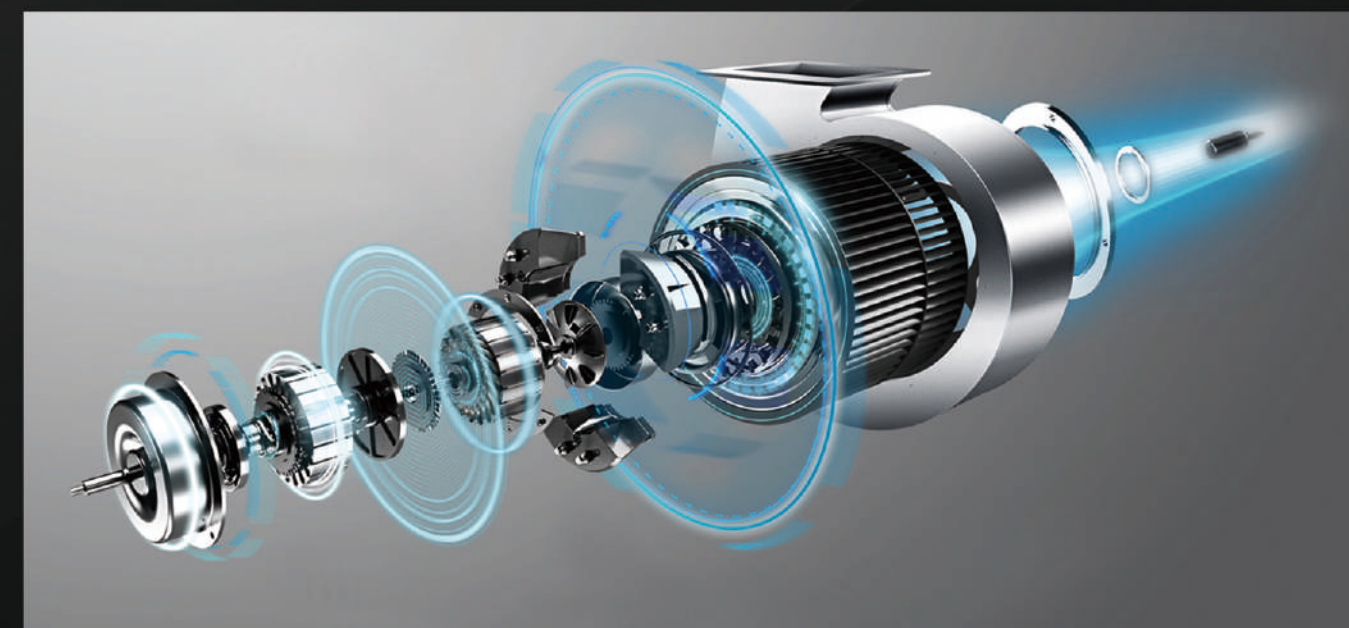
CXW-180-E906T T-shaped Range Hood

Product Type **Range Hood**



Powerful smoke extraction with high air pressure

Powerfully extract smoke with high air pressure and DC frequency conversion technology



DC frequency conversion motor

New intelligent DC frequency conversion technology to intelligently regulate peak and adjust the suction power according to the smoke exhaustion, demonstrating invincible smoke exhaustion



CXW-180-E971X All-in-one Cabinet & Range Hood

Product Type **Range Hood**



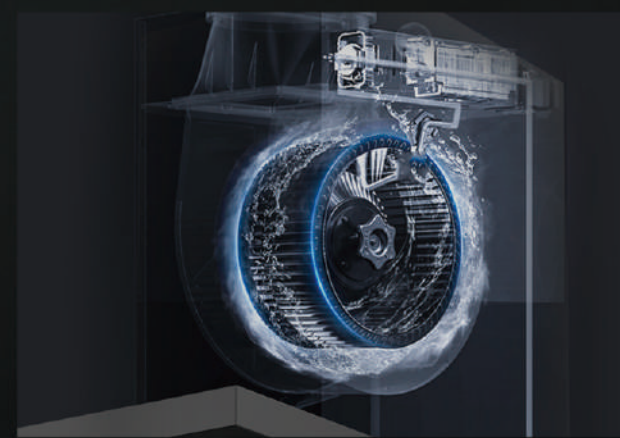
The industry's first cabinet & range hood integrated machine

The industry's first submersible embedded range hood integrated with the cabinet



No place for smoke to escape in the golden smoke control zone

Intelligent automatic switching air intake to form a golden smoke control zone, providing no escape for smoke to escape



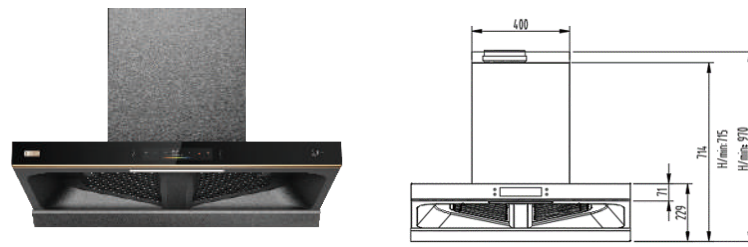
Convenient and efficient steam self-cleaning

Intelligent steam cleaning function for easier cleaning and regular use for longer service life



Intelligent linkage between hood airflow and cooking fire to provide a good meal

The hood airflow will be automatically adjusted according to the cooking fire, making operation easier and simpler without confusion



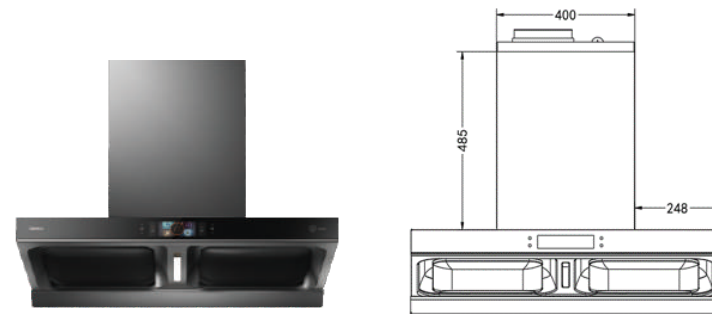
T-shaped Machine CXW-180-E971TF

Product Specifications

Size (W*D*H mm)	896*490*(715-970)
Accessories	Interior decoration cover
Accessory size	ø170 smoke pipe
Air flow m ³ /min	19/26
Static pressure maximum Pa	1000
Gesture control	Yes
Linkage	Linkage between hood airflow and cooking fire/ between range hood and combi oven
Cleaning function	Steam cleaning

Functional Selling Points

1. New fixed double chamber to double the smoke intake.
2. Eagle-claw smoking zone design.
3. Powerfully extract smoke with high air pressure and DC frequency conversion technology.
4. Gesture control + linkage between hood airflow and cooking fire, enjoying easy cooking.
5. Intelligent high temperature steam cleaning function providing worry-free cleaning.
6. Linkage between range hood and combi oven (to be accompanied by a cooking center).



T-shaped Machine CXW-180-E906T

Product Specifications

Size (W*D*H mm)	896*490*(715-970)
Accessories	Interior and exterior decorative covers
Accessory size	ø170 smoke pipe
Air flow m ³ /min	19/24
Static pressure maximum Pa	800
Gesture control	Yes
Linkage	Linkage between range hood and cooker
Cleaning function	Hot-melt cleaning

Functional Selling Points

1. New fixed rounded double chamber design with zoned smoking.
2. Design the pebble deflector to deflect smoke smoothly.
3. Powerfully extract smoke with high air pressure and DC frequency conversion technology.
4. Intelligent gesture control + linkage between range hood and cooker, enjoying easy cooking.
5. Intelligent high-temperature hot-melt cleaning function to clean more easily.



Side Suction Machine CXW-180-E971J

Product Specifications

Size (W*D*H mm)	896*430* (984-1264)
Accessories	Interior decoration cover
Accessory size	ø170 smoke pipe Decorative cover: 420*311*525
Air flow m ³ /min	19/26
Static pressure maximum Pa	1000
Gesture control	Yes
Linkage	Linkage between hood airflow and cooking fire/ between range hood and combi oven
Cleaning function	Steam cleaning

Functional Selling Points

1. Two-section black crystal tempered glass, with flat and simple appearance, being easy to clean and effective in a wipe.
2. Super quiet DC frequency conversion motor in the cruise mode, to achieve the perfect integration of large suction power and super quietness, making the kitchen both clean and quiet.
3. Intelligent gesture control + linkage between hood airflow and cooking fire, providing convenient and comfortable personalized operation.
4. Intelligent high temperature steam cleaning function providing worry-free cleaning.
5. Linkage between range hood and combi oven (to be accompanied by a cooking center).



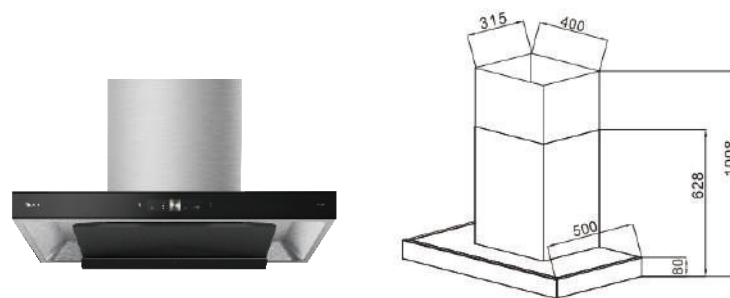
Side Suction Machine CXW-180-E906J

Product Specifications

Size (W*D*H mm)	896*430* (984-1264)
Accessories	Interior and exterior decorative covers
Accessory size	ø170 smoke pipe Decorative cover: 421*312*445
Air flow m ³ /min	19/24
Static pressure maximum Pa	800
Gesture control	Yes
Linkage	Linkage between range hood and cooker
Cleaning function	Hot-melt cleaning

Functional Selling Points

1. Two-section black crystal tempered glass, with flat and simple appearance, being easy to clean and effective in a wipe.
2. Super quiet DC frequency conversion motor in the cruise mode, to achieve the perfect integration of large suction power and super quietness, making the kitchen both clean and quiet.
3. Intelligent gesture control + linkage between range hood and cooker.
4. Intelligent high-temperature hot-melt cleaning function to clean more easily.



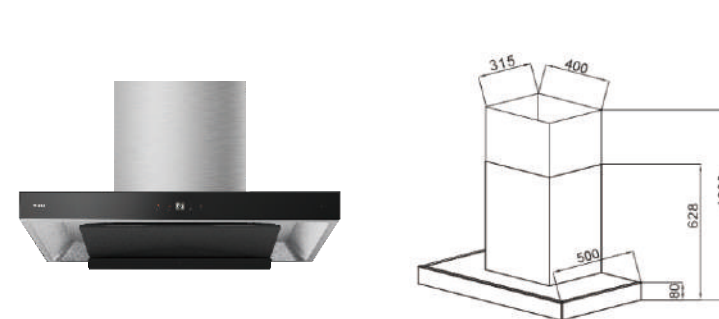
T-shaped Machine CXW-258-E632T

Product Specifications

Size (W*D*H mm)	895*500* (628-1008)
Accessories	Interior and exterior decorative covers
Accessory size	ø170 smoke pipe
Air flow m ³ /min	17/23
Static pressure maximum Pa	420
Gesture control	Yes
Linkage	None
Cleaning function	Hot-melt cleaning

Functional Selling Points

1. Smoke deflector design.
2. Stainless steel chamber for smoke extraction.
3. Gesture control and no need to touch the hood, providing easier operation.



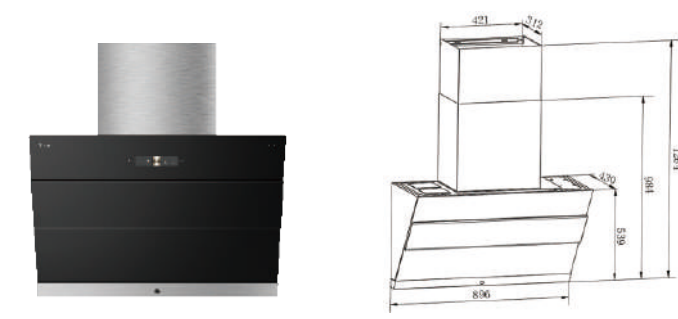
T-shaped Machine CXW-258-E603T

Product Specifications

Size (W*D*H mm)	895*500* (628-1008)
Accessories	Interior and exterior decorative covers
Accessory size	ø170 smoke pipe
Air flow m ³ /min	17/21
Static pressure maximum Pa	420
Gesture control	None
Linkage	None
Cleaning function	None

Functional Selling Points

1. The design of the deflector increases the smoking area and expands the negative pressure, strengthening the smoke extraction effect.
2. Stainless steel smoke chamber with glass panel, showing classic fashion.



Side Suction Machine CXW-258-E632J

Product Specifications

Size (W*D*H mm)	896*430* (984-1264)
Accessories	Interior and exterior decorative covers
Accessory size	ø170 smoke pipe Decorative cover: 421*312*445
Air flow m ³ /min	18/23
Static pressure maximum Pa	420
Gesture control	Yes
Linkage	None
Cleaning function	Hot-melt cleaning

Functional Selling Points

1. Intelligent turnover structure enabling the glass panel to automatically flipping and providing high-end intelligent humanization experience.
2. Super quiet fan system to achieve the perfect integration of large suction power and super quietness, making the kitchen both clean and quiet.
3. Fully tempered glass, with succinct and decent appearance, being easy to clean and effective in a wipe.
4. Touch button control with stir frying and delay function, providing convenient and comfortable personalized operation.



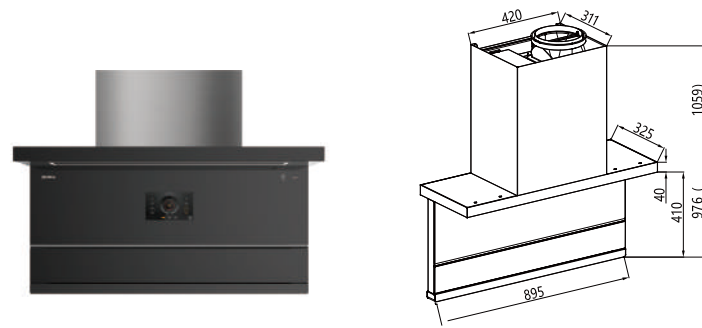
Side Suction Machine CXW-258-E603J

Product Specifications

Size (W*D*H mm)	896*430* (984-1264)
Accessories	Interior and exterior decorative covers
Accessory size	ø170 smoke pipe Decorative cover: 421*312*445
Air flow m ³ /min	18/21
Static pressure maximum Pa	420
Gesture control	None
Linkage	None
Cleaning function	None

Functional Selling Points

1. Intelligent turnover structure enabling the glass panel to automatically flipping and providing high-end intelligent humanization experience.
2. Super quiet fan system to achieve the perfect integration of large suction power and super quietness, making the kitchen both clean and quiet.
3. Fully tempered glass, with succinct and decent appearance, being easy to clean and effective in a wipe.
4. Touch button control with stir frying and delay function, providing convenient and comfortable personalized operation.

All-in-one Cabinet & Range Hood **CXW-180-E981X****Product Specifications**

Size (W*D*H mm)	895*325*976
Accessories	Exterior decorative cover
Accessory size	ø170 smoke pipe Decorative cover: 420*311*525
Air flow m ³ /min	18/22
Static pressure maximum Pa	800
Gesture control	None
Linkage	Linkage between hood airflow and cooking fire
Cleaning function	Hot-melt cleaning

Functional Selling Points

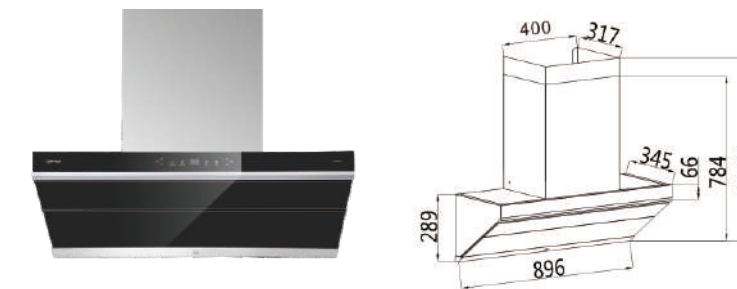
- 7 inch TFT color screen touch control with video;
- Recipes, music and other entertainment functions;
- APP remote control, linkage between hood airflow and cooking fire, frequency conversion cruise mode, thermal cleaning and air change.

All-in-one Cabinet & Range Hood **CXW-180-E971X****Product Specifications**

Size (W*D*H mm)	895*326.5*974
Accessories	Exterior decorative cover
Accessory size	ø170 smoke pipe Decorative cover: 402*318*524
Air flow m ³ /min	18/25
Static pressure maximum Pa	1000
Gesture control	Yes
Linkage	Linkage between hood airflow and cooking fire/ between range hood and combi oven
Cleaning function	Steam cleaning

Functional Selling Points

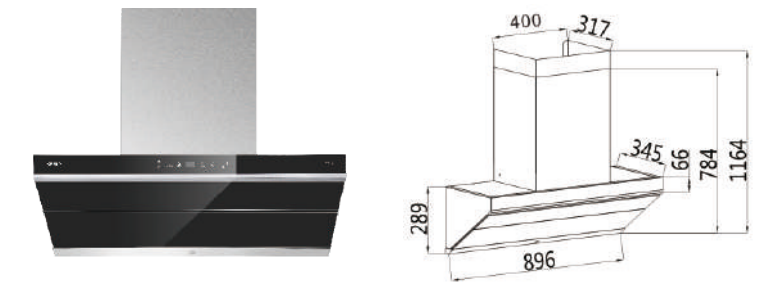
- The industry's first submersible embedded range hood integrated with the cabinet;
- Intelligent gesture control + linkage between hood airflow and cooking fire, enjoying easy cooking;
- Submerged air inlet with intelligent switching technology in the golden smoke control zone, closer to the smoke and easily coping with oil smoke from steaming and stir-frying;
- Intelligent high temperature steam cleaning function providing worry-free cleaning;
- Linkage between range hood and combi oven (to be accompanied by a cooking center).

All-in-one Cabinet & Range Hood **CXW-180-E632XA****Product Specifications**

Size (W*D*H mm)	896*345*(784-1164)
Accessories	Interior and exterior decorative covers
Accessory size	ø170 smoke pipe Decorative cover: 400*317*495
Air flow m ³ /min	18/22
Static pressure maximum Pa	650
Gesture control	Yes
Linkage	None
Cleaning function	Hot-melt cleaning

Functional Selling Points

- Large airflow and high static pressure;
- Gesture intelligent control, easy to adjust the airflow without touching the hood;
- Built-in hot-melt self-cleaning function;
- Intelligent switching design and large smoke collection area;
- Semi-embedded and installed flush with the cabinet;
- Full DC frequency conversion motor with strong core power.

All-in-one Cabinet & Range Hood **CXW-238-CE632A****Product Specifications**

Size (W*D*H mm)	896*345*(784-1164)
Accessories	Interior and exterior decorative covers
Accessory size	ø170 smoke pipe Decorative cover: 400*317*495
Air flow m ³ /min	18/20
Static pressure maximum Pa	400
Gesture control	Yes
Linkage	None
Cleaning function	Hot-melt cleaning

Functional Selling Points

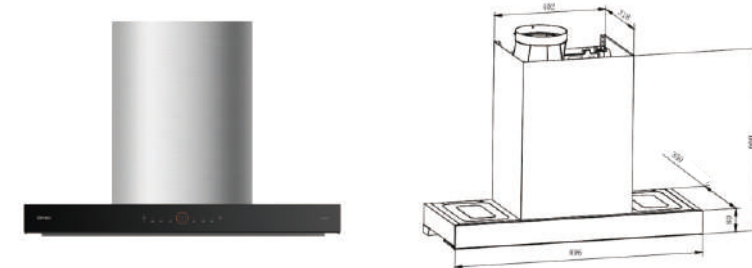
- Large airflow and high static pressure;
- Gesture intelligent control, easy to adjust the airflow without touching the hood;
- Built-in hot-melt self-cleaning function;
- Intelligent switching design and large smoke collection area;
- Semi-embedded and installed flush with the cabinet.

All-in-one Cabinet & Range Hood **CXW-180-E906X****Product Specifications**

Size (W*D*H mm)	896*350*600
Accessories	Exterior decorative cover
Accessory size	ø170 smoke pipe Decorative cover: 402*318*520
Air flow m ³ /min	19/24
Static pressure maximum Pa	800
Gesture control	Yes
Linkage	Linkage between range hood and cooker
Cleaning function	Hot-melt cleaning

Functional Selling Points

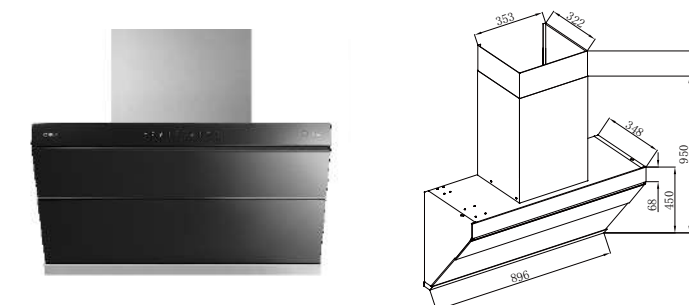
- Fully integrated appearance design, integrated perfectly with the cabinet;
- Intelligent electric switching design;
- Powerfully extract smoke with high air pressure and DC frequency conversion technology;
- Intelligent gesture control + linkage between range hood and cooker, enjoying easy cooking;
- Intelligent high-temperature hot-melt cleaning function to clean more easily.

All-in-one Cabinet & Range Hood **CXW-258-E611XA****Product Specifications**

Size (W*D*H mm)	896*350*600
Accessories	Exterior decorative cover
Accessory size	ø170 smoke pipe Decorative cover: 402*318*520
Air flow m ³ /min	18/22
Static pressure maximum Pa	420
Gesture control	Yes
Linkage	None
Cleaning function	Hot-melt cleaning

Functional Selling Points

- Seamless deep-drawn smoke collection chamber with excellent smoke collection capacity, effectively preventing the escape of oil smoke;
- Seamless smoke collection chamber providing no room for oil smoke to escape, beautiful and easy to cleaned;
- Smooth air inlet and efficient oil filtration without oil blockage or dripping;
- Touch button control with stir frying and delay function, providing convenient and comfortable personalized operation;
- Intelligent turnover structure enabling the glass panel to automatically flipping and providing high-end intelligent humanization experience.

All-in-one Cabinet & Range Hood **CXW-120-E639XA****Product Specifications**

Size (W*D*H mm)	896*348*(900-1180)
Accessories	Interior and exterior decorative covers
Accessory size	ø170 smoke pipe Decorative cover: 353*322*450
Air flow m ³ /min	18/22
Static pressure maximum Pa	650
Gesture control	Yes
Linkage	Linkage between range hood and cooker
Cleaning function	Hot-melt cleaning

Functional Selling Points

- The industry's first semi-embedded range hood perfectly integrated with the cabinet;
- Black appearance integrated with the cupboard and the wall cabinet, clean and tidy, with which you can enjoy a minimalist life;
- Touch control with the functions including frequency conversion frying, hot-melt cleaning, air exchange, linkage between range hood and cooker, providing user-friendliness;
- Intelligent automatic switching the smoking port in the golden smoke control zone, easily coping with oil smoke from steaming and stir-frying.



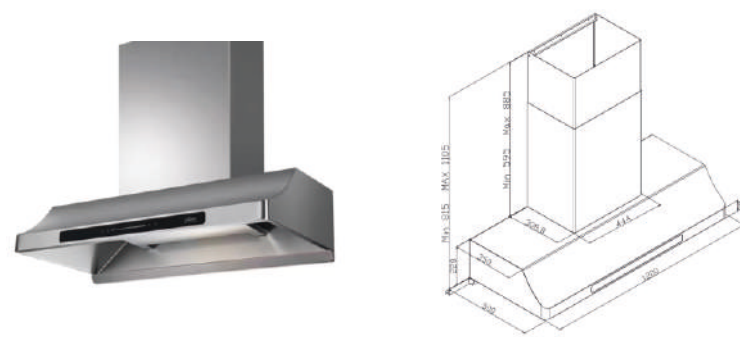
Island Range Hood CXW-200-26Z1800

Product Specifications

Size (W*D*H mm)	1800*734*1200
Accessories	Interior and exterior decorative covers
Accessory size	ø185 smoke pipe Decorative cover: 443*319*539
Air flow m ³ /min	21
Static pressure maximum Pa	≤870
Gesture control	None
Linkage	None
Cleaning function	None

Functional Selling Points

1. Imported 304 stainless steel and 1mm extra thick steel plate.
2. Integrally-moulded stainless steel without damaging the protective film on the surface of stainless steel.
3. 21 cubic meters with the super static pressure of 870 Pa, free adjustment of 25 speeds.
4. Frequency conversion motor.



Island Range Hood XW-200-26T1200

Product Specifications

Size (W*D*H mm)	1200*500*(851-1105)
Accessories	Interior and exterior decorative covers
Accessory size	ø185 smoke pipe Decorative cover: 444*308.8*250
Air flow m ³ /min	21
Static pressure maximum Pa	≤870
Gesture control	None
Linkage	None
Cleaning function	None

Functional Selling Points

1. Imported 304 stainless steel and 1mm super thick steel plate, without damaging the surface protection film, 280 chord arc processes without polishing, and integrally-moulded stainless steel.
3. 21 cubic meters with the super static pressure of 870 Pa for smooth smoke flow.
3. 1.2m wide European range hood with large deep chamber.

KITCHEN COOKER

Kitchen Appliances Series **Cooker**





Double-layered energy-gathering cover, efficient in energy saving

≥70% high thermal efficiency, energy saving and environmentally friendly



7-stage fire control for precision and practicality

7-stage fire control with strong high fire, stable medium fire and enough small fire



Free timed flameout without worries

bilateral timing [up to 180 minutes], reducing the time spent in the kitchen



Easy-to-clean panel

Linkage between range hood and cooker and super easy-clean glass panel

JZY/T-Q906G

Product Type Gas Cooker



Keeping your cooking safe

Integrated straight-rotary outer ring fire cover

More even heating of the pan bottom with higher thermal efficiency

No delay in ignition and no need to wait for food

Double protection covers, 100% ignition success rate

Hidden ignition structure

Prevent contamination of the ignition needle thermocouple.
Prevent blockage of the flash hole.
Prevent automatic flame failure.

Fully enclosed liquid collecting tray

No soup seeping into the cooker.
Safer use of fire.
More durable cabinets.
Easier cleaning.



3-fold explosion-proof panel

Eliminate the risk of explosion.
Durable panel with high quality texture!

Intelligent automatic flameout

No delay in ignition and automatic gas cut-off for accidental flame failure.
Ensure safety!

Double the flavour with a 3D fierce fire

68

fire outlets
concentrating energy

8-way

oxygen supply tank for oxygen
enriching low-carbon combustion

8

staged combustion for
a more even fire

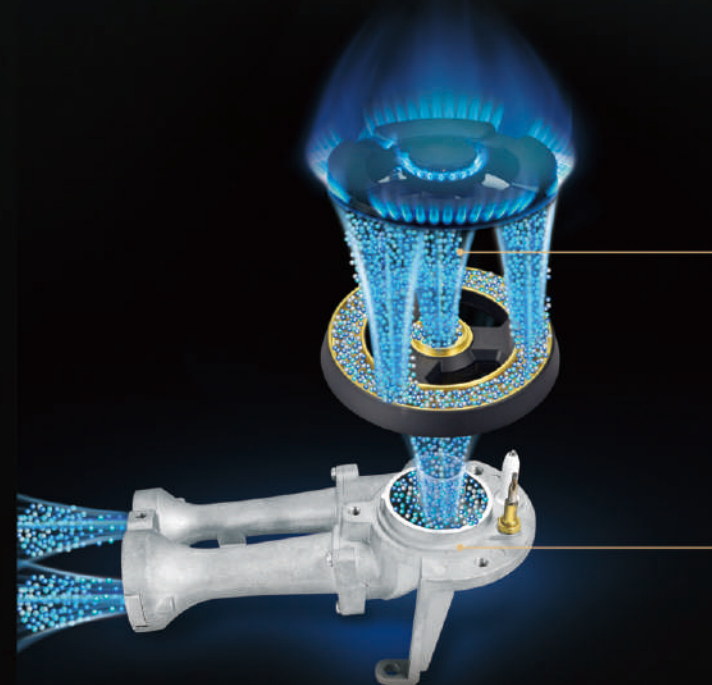
Double flame construction, efficient copper flame cap

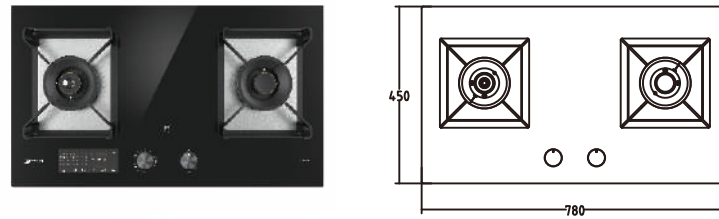
Effectively prevents fire hole blockage,
heat load up to 5KW, high temperature
and corrosion resistance

Level 1 energy efficiency and high efficiency direct fire!

Thermal efficiency $\geq 70\%$. National Level 1
energy efficiency standard. The higher the thermal
efficiency, the higher the energy conversion rate!
Strong high fire, stable medium fire and enough
small fire.

High efficiency aluminium alloy burners with upgraded power





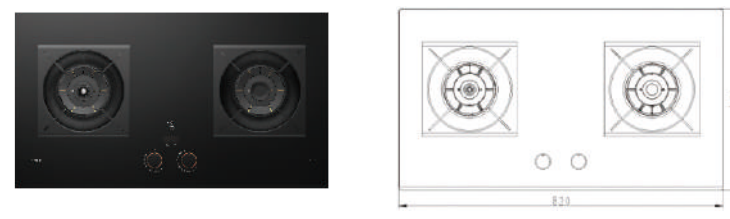
Gas Cooker **JZY/T-Q981GA**

Product Specifications

Panel size (L*W mm)	780*450
Hole size	703*403
Firepower	20Y:4.5KW 12T:5.0KW
Energy efficiency/ thermal efficiency	Level 1/63%
Linkage between hood airflow and cooking fire	✓
Timer	✓
Intelligence	Anti-dry burning, WIFI, mobile smart control app

Functional Selling Points

1. AI cooking with intelligent recipes to automatically identify frying, boiling, stewing, and steaming;
2. Timing function and professional frying temperature customization function;
3. Sensing function of the pan bottom and high temperature frying mode;
4. Over-temperature oil reminder and automatic flameout control to prevent burnt food and dry burning;
5. Intelligent timer to turn off the fire;
6. Linkage between hood airflow and cooking fire, and WIFI.



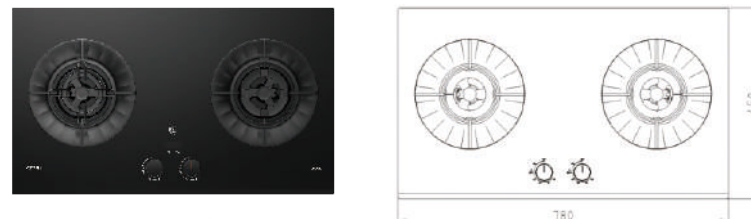
Gas Cooker **JZY/T-Q971G**

Product Specifications

Panel size (L*W mm)	820*460
Hole size	700*400,R20
Firepower	20Y:4.5KW 12T:5.0KW
Energy efficiency/ thermal efficiency	20Y:65%, 12T:66%
Linkage between hood airflow and cooking fire	✓
Timer	✓
Intelligence	Dry burning-resistant

Functional Selling Points

1. ≥66% thermal efficiency, super Level 1 energy efficiency, no delay in ignition and delayed discharge;
2. Intelligent anti-dry burning, bilateral timing and easy-to-clean glass panel;
3. Precision control of 11-stage fire, low battery alarm and linkage between hood airflow and cooking fire;
4. Integrated energy gathering pot holder;
5. Easy-to-clean glass panel.



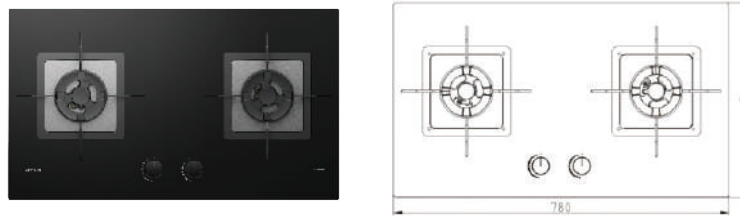
Gas Cooker **JZY/T-Q906G**

Product Specifications

Panel size (L*W mm)	780*450
Hole size	700*400,R20
Firepower	20Y:4.5KW 12T:5.0KW
Energy efficiency/ thermal efficiency	Super Level 1/70%
Linkage between hood airflow and cooking fire	✓
Timer	✓
Intelligence	/

Functional Selling Points

1. ≥70% thermal efficiency, no delay in ignition and delayed discharge;
2. Precision control of 7-stage fire and bilateral timing (up to 180 minutes);
3. Linkage between range hood and cooker, easy-clean glass panel and double-layer energy gathering pot holder;
4. Easy-to-clean glass panel.



Gas Cooker **JZY/T-Q632GA**

Product Specifications

Panel size (L*W mm)	780*450
Hole size	700*400,R20
Firepower	20Y:4.5KW 12T:5.0KW
Energy efficiency/ thermal efficiency	Level 1/63%
Linkage between hood airflow and cooking fire	/
Timer	/
Intelligence	/

Functional Selling Points

1. ≥70% thermal efficiency, no delay in ignition and delayed discharge;
2. Precision control of 7-stage fire and bilateral timing (up to 180 minutes);
3. Linkage between range hood and cooker, easy-clean glass panel and double-layer energy gathering pot holder;
4. Easy-to-clean glass panel.

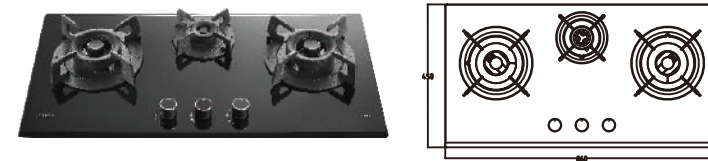


Gas Cooker **JZT-BD4-23C2****Product Specifications**

Panel size (L*W mm)	1020*400
Hole size	1010*360,R6
Firepower	12T: left & right 5.2KW, middle: 2.2KW
Energy efficiency/ thermal efficiency	Level 1/65%
Linkage between hood airflow and cooking fire	/
Timer	/
Intelligence	/

Functional Selling Points

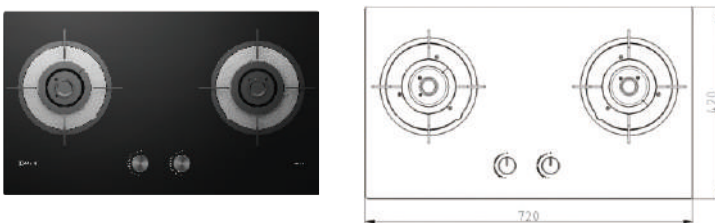
1. Four burners, enabling the combination of Chinese and Western cooking;
2. Strong high fire and enough small fire, enabling you to cook as you like;
3. Wide panel with multiple dishes cooking at the same time, which is time-saving and efficiency.

Gas Cooker **JZT-Q992G****Product Specifications**

Panel size (L*W mm)	860*450
Hole size	760*400, R10
Firepower	12T: left & right 4.8KW, middle: 1.5KW
Energy efficiency/ thermal efficiency	Level 1/63%
Linkage between hood airflow and cooking fire	/
Timer	/
Intelligence	/

Functional Selling Points

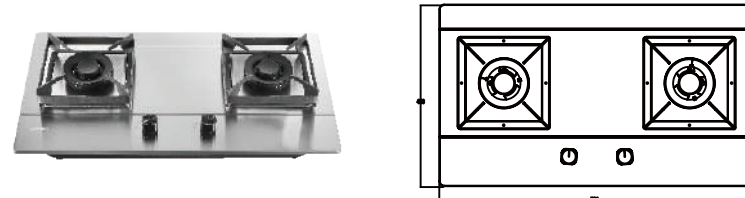
1. Three burners, strong high fire and enough small fire, enabling you to cook as you like;
2. Wide panel with multiple dishes cooking at the same time, which is time-saving and efficiency;
3. Full upper air inlet aluminium burner, thus no need to worry about whether the cupboard has an air inlet.

Gas Cooker **JZY/T-Q603G****Product Specifications**

Panel size (L*W mm)	720*420
Hole size	630*330,R20
Firepower	4.5KW, Both burners
Energy efficiency/ thermal efficiency	Level 1/63%
Linkage between hood airflow and cooking fire	/
Timer	/
Intelligence	/

Functional Selling Points

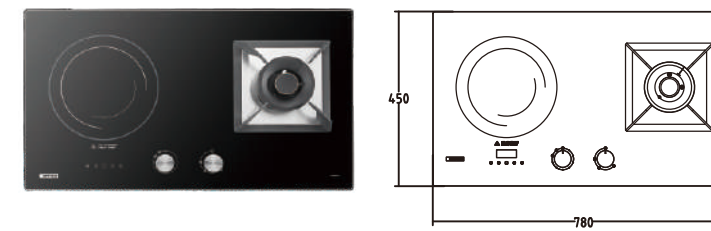
1. Level 1 energy efficiency, energy efficiency, environmental protection, no delay in ignition and delayed discharge;
2. Clean aluminium alloy burners with anti-corrosion and high temperature resistance, easy to clean;
3. Triple explosion-proof tempered glass panel with durable quality.

Gas Cooker **JZT/Y-Q630S****Product Specifications**

Panel size (L*W mm)	780*450
Hole size	680*380, R20
Firepower	20Y:4.5KW, 12T:5.0KW
Energy efficiency/ thermal efficiency	Level 1/63%
Linkage between hood airflow and cooking fire	/
Timer	/
Intelligence	/

Functional Selling Points

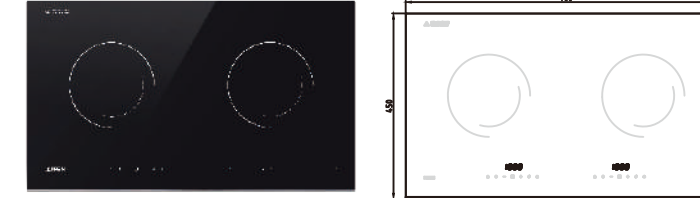
1. Large stainless steel panel;
2. Split-type full copper fire cover holder, easy to disassemble and clean;
3. No delay in ignition and delayed discharge.

Gas Electric Cooker **JZDT/Y-Q629G****Product Specifications**

Panel size (L*W mm)	780*450
Hole size	703*403,R15
Firepower	12T: left 5.0KW, right: 2.0KW 20Y: 4.5KW, right: 2.0KW
Energy efficiency/ thermal efficiency	Level 1/63%
Linkage between hood airflow and cooking fire	/
Timer	✓
Intelligence	/

Functional Selling Points

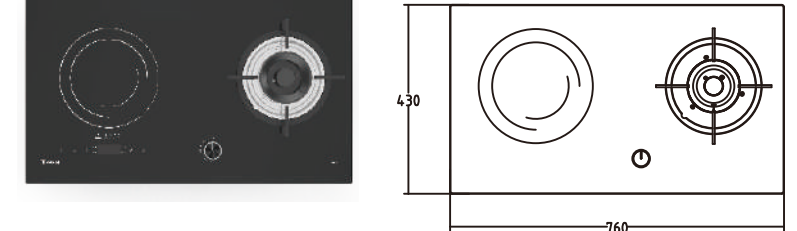
1. Gas-electric dual mode structure to cook the soup on the left burner and stir-fry on the right burner;
2. High efficiency induction cooker with precise 7-grade heat adjustment;
3. Intelligent timer off the fire of the left burner, with 199 minutes long timing;
4. 225° wideband fire adjustment on the right burner for more precise fire control;
5. Fully closed installation structure preventing soup and cleaning water from penetrating into the interior of the cooker and the cabinet;
6. Intelligent flameout protection, no delay in ignition, and automatic gas cut-off in case of the accidental flameout to ensure safety;
7. Stable squared quadripod structured pot holder.

Gas Electric Cooker **CS34-I704****Product Specifications**

Panel size (L*W mm)	780*450
Hole size	703*403,R15
Firepower	Rated power: 3.4KW (left 2.0KW+2.6KW) Plug specification: 16A
Energy efficiency/ thermal efficiency	Level 2
Linkage between hood airflow and cooking fire	/
Timer	✓
Intelligence	/

Functional Selling Points

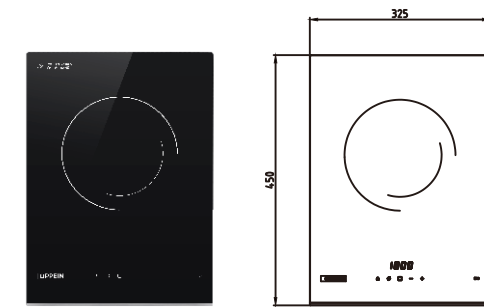
1. Induction cooker with dual-eye intelligent control;
2. Alloy edge-wrapped tempered glass panel;
3. 199 minutes long timing;
4. Dual mode of power and temperature, and mutual control of dual-eye power.

Gas Electric Cooker **JZDT/Y-Q618G****Product Specifications**

Panel size (L*W mm)	760*430
Hole size	650*350,R15
Firepower	12T: left 4.5KW, right:2.0KW 20Y: 4.2KW, right: 2.0KW
Energy efficiency/ thermal efficiency	Level 1/63%
Linkage between hood airflow and cooking fire	/
Timer	✓
Intelligence	/

Functional Selling Points

1. Gas-electric dual mode structure to cook the soup on the left burner and stir-fry on the right burner;
2. High efficiency induction cooker with multiple cooking modes provided;
3. All-aluminium burner and stepless adjustable fire, enabling you to cook as you like;
4. Fully closed installation structure preventing soup and cleaning water from penetrating into the interior of the cooker and the cabinet;
5. Intelligent flameout protection and automatic gas cut-off in case of the accidental flameout to ensure safety;
6. Beautiful round positioning-type pot holder, preventing the pot from slipping off.

Gas Electric Cooker **C20-I703****Product Specifications**

Panel size (L*W mm)	325*450
Hole size	290*403,R15
Firepower	Rated power: 2.0KW Plug specification: 10A
Energy efficiency/ thermal efficiency	Level 2
Linkage between hood airflow and cooking fire	/
Timer	✓
Intelligence	/

Functional Selling Points

1. Alloy edge-wrapped tempered glass panel;
2. Intelligent flameout protection;
3. 199 minutes long timing;
4. Dual mode of power and temperature, and a wider choice of functions.

KITCHEN COOK CENTER

Kitchen Appliances Series Cook Center

Integrated Cook Center

It is known as a space magician, integrating the range hood, cooker, combi oven, and storage in an area of 1 square meter, a one-stop cooking platform and a one-meter moving-line-to-save space, demonstrating that a small kitchen is also of great use. It also blends perfectly with the cabinet to create a magic kitchen.

The range hood has an air pressure of 1,000 Pa, the cooker has a large 5.0 KW fire with super Level 1 energy efficiency and the combi oven has a large capacity of 66 L. With the linkage functions between hood airflow and cooking fire and between range hood and combi oven, you can experience now what your kitchen will look like in the next 5 years.



QSK971G1-JC

Integrated Cook Center



All-in-one cabinet & range hood of great use

One-stop integrated cooking center for better space utilisation



Full upper air intake for high combustion efficiency

Full upper air intake combustion system with intelligent anti-dry burning monitoring for safety and efficiency



Super intelligent linkage between hood airflow and cooking fire

Linkage between hood airflow and cooking fire/ between range hood and combi oven with rear steam outlet opened



Fusion·New Life | Integrated Cooking Center



Integrated Cook Center QSK971G1-JC

Product Specifications

Cooker	
Size (L*W mm)	800*460
Hole size	700*400, RO
Firepower	12T:5.0KW, 20Y:4.5KW
Energy efficiency/ thermal efficiency	12T:68%, 20Y:65%
Linkage	Linkage between hood airflow and cooking fire/ between range hood and combi oven
Intelligence	Dry burning-resistant

Combi Oven

Size (W*H*D mm)	800*455*525
Embedded size (W*H*D mm)	764*450*560 (upper fastening: 5 mm, lower fastening: 0)
Inner liner capacity (L)	66
Inner liner material	Nano ceramics
Heating method	Steam+heating pipe
Intelligent recipes	

Functional Selling Points

Cooker

1. New full upper air intake structure and intelligent anti-dry burning.
2. Super Level 1 thermal efficiency: LPG ≥ 65%, natural gas ≥ 68%.
3. Bilateral timing and precision control of 11-stage fire.
4. Easy-to-clean glazed glass.
5. Double-layer energy gathering ring.
6. Linkage between hood airflow and cooking fire/ between range hood and combi oven, to quickly coping with oil smoke.

Combi Oven

1. Easy-to-clean nano ceramic liner for steaming and baking.
2. 66L-capacity combi oven providing more space.
3. Precise temperature control within 1 degree.
4. External circulation air-cooling system, effectively protecting cabinets.
5. High temperature steam of 105°C.
6. Drying and air exchange functions.



KITCHEN COMBI OVEN

Kitchen Appliances Series **Combi Oven**

ST55-SK971

Product Type Combi Oven



Multiple cooking modes for you to enjoy diverse tastes



10 modes of steaming and baking

Easy operation, turning you into a food blogger in seconds



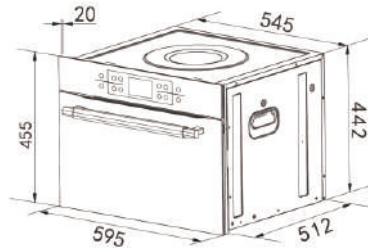
Precision temperature control within 1 degree and multi-layer simultaneous cooking

Quickly prepare food for the whole family without a break



Large intelligent screen with cool flashing coloured marquee

Provide a fun and exciting experience to enjoy every moment of food



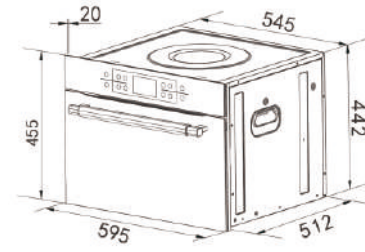
Steamer JZY/T-Q981GA

Product Specifications

Size (W*H*D mm)	595*455*532
Embedded size (W*H*D mm)	564*450*550
Inner liner capacity (L)	48
Inner liner material	SUS304
Heating method	Steam
Intelligent recipes	40

Functional Selling Points

1. 45L large capacity, variable capacity, quick heating and TFT display.
2. 40 recipes provided for easy cooking.
3. New DIY player mode for you to cook as you like.
4. No drip from the top, no water on the bottom, thus easy to clean.
5. Drying and air exchange functions to remove moisture and odour from the chamber.



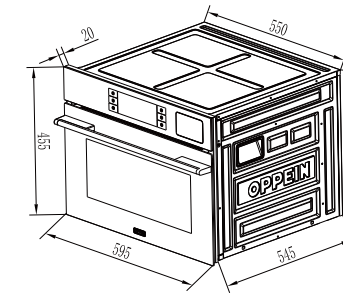
Roaster Oven KWS260-K981

Product Specifications

Size (W*H*D mm)	595*455*532
Embedded size (W*H*D mm)	564*450*550
Inner liner capacity (L)	45
Inner liner material	Enamel
Heating method	Heating pipe
Intelligent recipes	40

Functional Selling Points

1. Intelligent wet baking, steam water film wrapping technology and TFT display.
2. 10 baking functions and 40 delicate recipes provided for easy cooking.
3. Independent upper and lower temperature control, double-layer heating and precise temperature control.
4. The chamber and baking tray are treated with the porcelain process.
5. Diagonal temperature sensing with a wide range of areas to achieve multi-point temperature monitoring.
6. 3 seconds intelligent lifting and fast switching, adopting high technology.



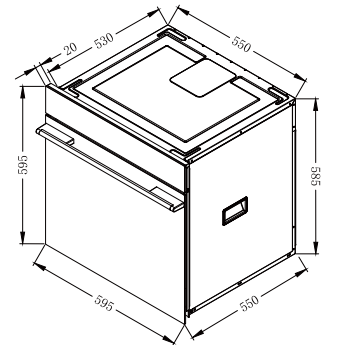
Steamer ST48-S971

Product Specifications

Size (W*H*D mm)	595*455*565
Embedded size (W*H*D mm)	564*450*550 (upper fastening: 5 mm, lower fastening: 0)
Inner liner capacity (L)	59
Inner liner material	SUS304
Heating method	Steam+heating coil
Intelligent recipes	30

Functional Selling Points

1. Fill the upper water tank without opening the door, and the alarm will pop up automatically when the water tank is short of water.
2. Large LED screen, easy to operate, LED lighting to witness the food cooking.
3. Precise temperature control and multi-layer cooking, with simple and efficient operation.
4. Dynamic flashing coloured marquee.
5. Double-barrel direct steam heating.
6. High temperature steam of 105°C.



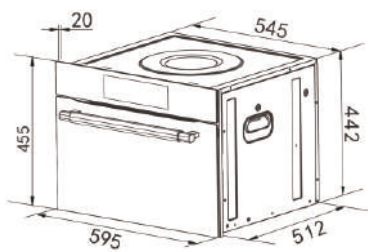
Roaster Oven KWS240-K971

Product Specifications

Size (W*H*D mm)	595*595*550
Embedded size (W*H*D mm)	564*592*550 (upper fastening: 3 mm, lower fastening: 0)
Inner liner capacity (L)	60
Inner liner material	Ceramic
Heating method	Heating pipe
Intelligent recipes	30

Functional Selling Points

1. 3D double fan hot air circulation grill, with layers of the same temperature.
2. LED color screen with flashing coloured marquee and more intelligent human-machine interaction, providing more wonderful visual experience.
3. 8 cooking modes, temperature adjustment between 50-240°C, enabling you to make Michelin dishes at home.
4. Large 60L capacity and multi-layer cooking, with which party can also be easily handled.



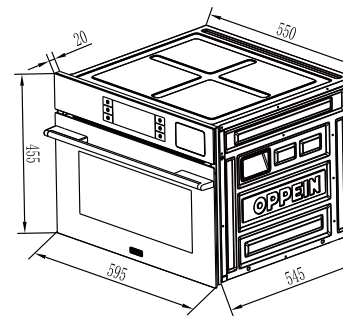
Combi Oven ST45-SK981

Product Specifications

Size (W*H*D mm)	595*455*532
Embedded size (W*H*D mm)	564*450*550
Inner liner capacity (L)	45
Inner liner material	Enamel
Heating method	Steam+heating pipe
Intelligent recipes	47

Functional Selling Points

1. German black Schott glass panel, exquisite door handle and TFT colour screen.
2. Integration space with 11 steaming and baking functions to meet the different cooking needs of users.
3. 38-120°C steam frequency temperature control and 360°SD hot air circulation system.
4. Automatic recycling of residual water to prevent bacteria breeding.
5. 3 seconds intelligent lifting and fast switching, adopting high technology.



Combi Oven ST55-SK971

Product Specifications

Size (W*H*D mm)	595*455*565
Embedded size (W*H*D mm)	564*450*550 (upper fastening: 5 mm, lower fastening: 0)
Inner liner capacity (L)	55
Inner liner material	Nano ceramics
Heating method	Steam+heating pipe
Intelligent recipes	50

Functional Selling Points

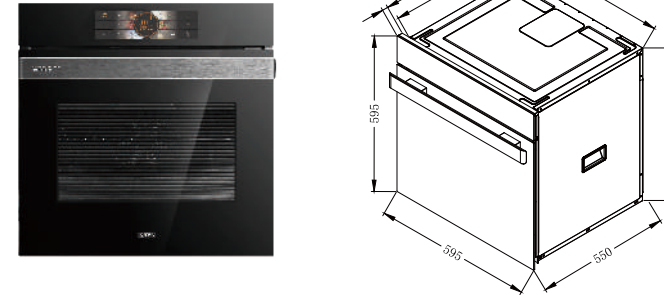
1. Fill the upper water tank without opening the door, and the alarm will pop up automatically when the water tank is short of water, which is intelligent and convenient.
2. 10 cooking modes for steaming and baking, helping you make all kinds of dishes with ease.
3. Precise temperature control within 1°C and multi-layer cooking, efficient and energy-saving.
4. LED color screen with flashing coloured marquee and more intelligent human-machine interaction, providing more wonderful visual experience.
5. Double-barrel direct steam heating.
6. High temperature steam of 115°C.

Steamer **ST48-S906A****Product Specifications**

Size (W*H*D mm)	595*455*565
Embedded size (W*H*D mm)	564*450*550 (upper fastening: 5 mm, lower fastening: 0)
Inner liner capacity (L)	48
Inner liner material	SUS304
Heating method	Steam+heating pipe
Intelligent recipes	30

Functional Selling Points

1. High temperature steam to retain fresh flavor;
2. 9.8 inch easy-to-operate large touch screen;
3. Drying and air exchange functions, removing the odour in the inner liner;
4. 30 intelligent menus, providing quick and easy operation;
5. Top-mounted electric water tank with high space utilisation, automatic opening of the water tank in case of the water shortage, and no need to open the door to add water during cooking;
6. Large 48L capacity and multi-layer cooking, meeting the need of cooking multiple dishes at the same time.

Roaster Oven **KWS240-K906B****Product Specifications**

Size (W*H*D mm)	595*595*550
Embedded size (W*H*D mm)	564*592*550 (upper fastening: 3 mm, lower fastening: 0)
Inner liner capacity (L)	60
Inner liner material	Ceramic
Heating method	Heating pipe
Intelligent recipes	30

Functional Selling Points

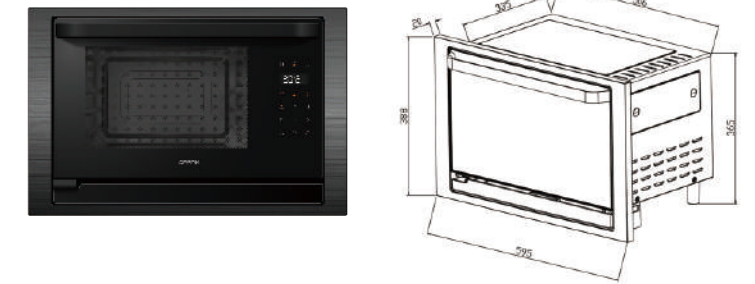
1. 8 baking modes to meet different users' needs;
2. 3D hot air circulation system, with layers of the same temperature;
3. Precise temperature control device and temperature range between 50-240°C, to meet all baking needs;
4. Precise temperature control within 1°C, making it easy to control the temperature and always maintain the best cooking temperature of food;
5. Full touch switch control + 9.8 inch LED screen, making it easy to operate and easy to understand the working status;
6. Large 60L capacity and multi-layer cooking, meeting the need of cooking multiple dishes at the same time.

Western Kitchen Steamer **ST26-S901****Product Specifications**

Size (W*H*D mm)	595*388*375
Embedded size (W*H*D mm)	564*385*400 (upper fastening: 3 mm, lower fastening: 0)
Inner liner capacity (L)	26
Inner liner material	SUS304
Heating method	Steam
Intelligent recipes	/

Functional Selling Points

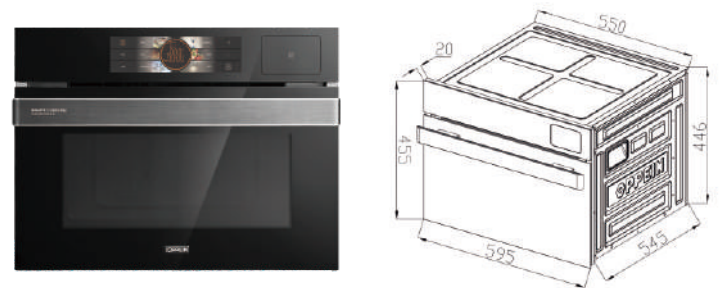
1. 26L electric steamer with direct steam and fast steam output, locking the food moisture and nutrition;
2. Auxiliary heating coil and cooking without dripping, to maintain the colour and flavor;
3. Built-in water tank structure;
4. Automatic time and temperature adjustment with one key, enabling you to enjoy the delicious food;
5. Small-size steamer can be easily integrated into western kitchen cabinets.

Western Kitchen Steamer **KWS145-K901****Product Specifications**

Size (W*H*D mm)	595*388*375
Embedded size (W*H*D mm)	564*385*400
Inner liner capacity (L)	26
Inner liner material	SUS304
Heating method	Heating pipe
Intelligent recipes	/

Functional Selling Points

1. 26L electric oven with independent upper and lower heating function, providing more professional cooking service;
2. Auxiliary heating coil and cooking without dripping, to maintain the colour and flavor;
3. Automatic time and temperature adjustment with one key, enabling you to enjoy the delicious food;
4. Small-size steamer can be easily integrated into western kitchen cabinets.

Combi Oven **ST48-SK906A****Product Specifications**

Size (W*H*D mm)	595*455*565
Embedded size (W*H*D mm)	564*450*550 (upper fastening: 5 mm, lower fastening: 0)
Inner liner capacity (L)	48
Inner liner material	SUS304+ Cceramics
Heating method	Steam+heating pipe
Intelligent recipes	50

Functional Selling Points

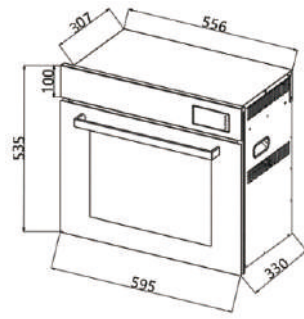
1. Easy-to-clean nano ceramic inner liner;
2. 4 modes and 16 functions;
3. 9.8 inch easy-to-operate large touch screen;
4. Drying and air exchange functions, removing the odour in the inner liner;
5. 50 intelligent menus, providing quick and easy operation;

Western Kitchen Combi Oven **ST26-SK901****Product Specifications**

Size (W*H*D mm)	595*388*375
Embedded size (W*H*D mm)	564*385*400
Inner liner capacity (L)	26
Inner liner material	SUS304
Heating method	Steam+heating pipe
Intelligent recipes	/

Functional Selling Points

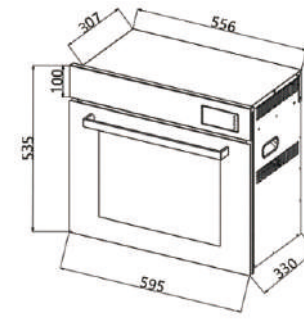
1. 26L electric combi oven with direct steam and fast steam output, locking the food moisture and nutrition;
2. Cook food by the combination of steaming and baking, providing more professional cooking service and maintaining the food colour and flavor;
3. Built-in water tank structure;
4. Automatic time and temperature adjustment with one key, enabling you to enjoy the delicious food;
5. Small-size steamer can be easily integrated into western kitchen cabinets.

Western Kitchen Steamer **ST48-S906C-XC****Product Specifications**

Size (W*H*D mm)	595*535*350
Embedded size (W*H*D mm)	564*530*350 (upper fastening: 5 mm, lower fastening: 0)
Inner liner capacity (L)	48
Inner liner material	SUS304
Heating method	Steam+heating pipe
Intelligent recipes	15

Functional Selling Points

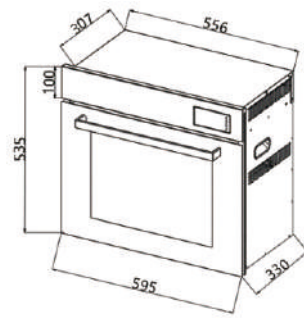
1. External water tank. No need to open the door to add water during cooking, constant temperature and water shortage alarm;
2. LED lighting and LCD screen, with simple operation;
3. Precise temperature control and multi-layer cooking, with simple and efficient operation;
4. 48L capacity. The small size of the western kitchen can also be used for cooking.

Western Kitchen Steamer **KWS260-K906C-XC****Product Specifications**

Size (W*H*D mm)	595*535*350
Embedded size (W*H*D mm)	595*535*350 (upper fastening: 5 mm, lower fastening: 0)
Inner liner capacity (L)	48
Inner liner material	SUS304
Heating method	Upper and lower heating pipe + fan
Intelligent recipes	15

Functional Selling Points

1. Characteristic air frying function;
2. 3D hot air circulation with more uniform temperature control;
3. LED lighting, LCD display;
4. Large capacity of 48L, for free cooking in the small western kitchen.

Western Kitchen Combi Oven **ST48-SK906C-XC****Product Specifications**

Size (W*H*D mm)	595*535*350
Embedded size (W*H*D mm)	595*535*350 (upper fastening: 5 mm, lower fastening: 0)
Inner liner capacity (L)	48
Inner liner material	SUS304
Heating method	Steam + upper and lower heating pipe + fan
Intelligent recipes	30

Functional Selling Points

1. No need to open the door to fill the external water tank, water shortage alarm;
2. Special air frying function;
3. LED lighting and LCD screen;
4. 48L capacity. The small size of the western kitchen can also be used for cooking.
5. Precise temperature control and multi-layer cooking.

DISINFECTION CABINET AND DISHWASHER

Kitchen Appliances Series

Disinfection Cabinet/ Dishwasher



Disinfection Cabinet **D120-A632B****Product Specifications**

Size (W*H*D mm)	595*640*520
Embedded size (W*H*D mm)	564*625*560 (upper fastening: 5 mm, lower fastening: 10 mm)
Capacity (L)	120
Disinfection method	Low temperature
Disinfection level	Two-star

Functional Selling Points

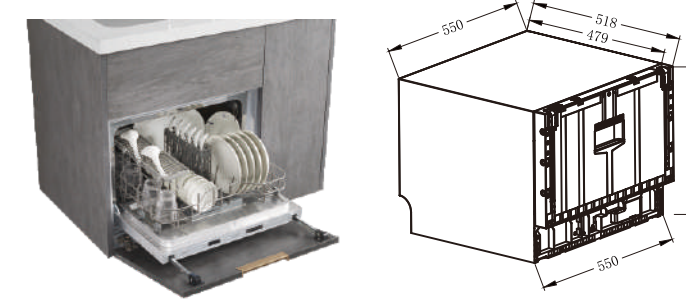
1. Two-star disinfection;
2. 120L capacity with external rail;
3. Photo plasma + UV disinfection, no odour;
4. Three internal drawers.

Disinfection Cabinet **ZTD100-A603****Product Specifications**

Size (W*H*D mm)	595*595*465
Embedded size (W*H*D mm)	564*575*560 (upper fastening: 14 mm, lower fastening: 6 mm)
Capacity (L)	100
Disinfection method	Low temperature
Disinfection level	Two-star

Functional Selling Points

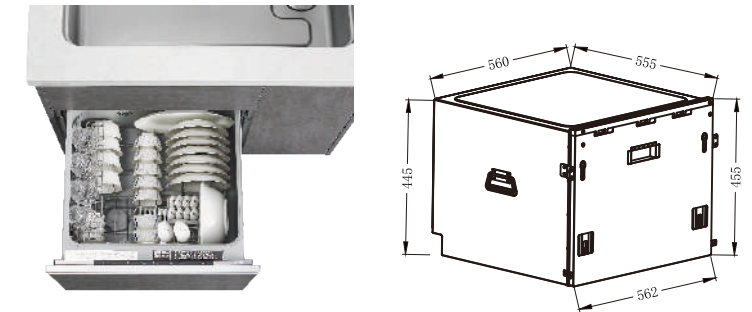
1. Two-star disinfection;
2. 120L capacity with external rail;
3. Lightwave and UV disinfection, no odour.

Dishwasher **DW60-D603X****Product Specifications**

Size (W*H*D mm)	552*438*518
Embedded size	564*445*560
Capacity (L)	6 sets
Drying method	Waste heat drying
sterilization/ anti-bacterial method	/
Minimum time for quick washing	29
Number of dishwashing modes	5

Functional Selling Points

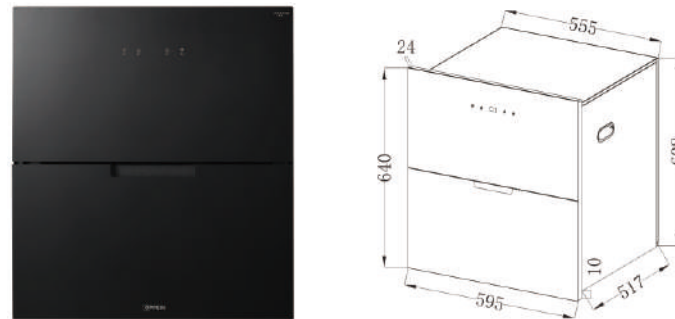
1. Small size, 6 sets of large capacity;
2. Integrated sink package with under-basin installation;
3. Customisable cabinet doors.

Dishwasher **DW60-D632X****Product Specifications**

Size (W*H*D mm)	562*455*555
Embedded size	564*458*560 (upper fastening: 0, lower fastening: 16 mm)
Capacity (L)	8 sets
Drying method	PTC hot air drying
sterilization/ anti-bacterial method	/
Minimum time for quick washing	29
Number of dishwashing modes	4

Functional Selling Points

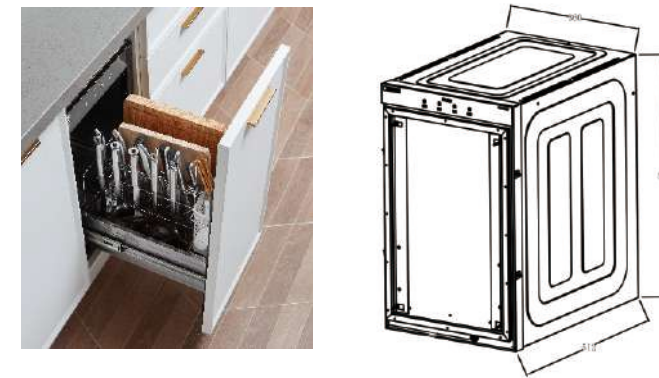
1. Small size, 6 sets of large capacity;
2. Integrated sink package with under-basin installation;
3. Customisable cabinet doors.

Disinfection Cabinet **ZTD120-A505****Product Specifications**

Size (W*H*D mm)	595*640*520
Embedded size (W*H*D mm)	564*625*550 (upper fastening: 5 mm, lower fastening: 10 mm)
Capacity (L)	120
Disinfection method	Low temperature +120° High temperature
Disinfection level	Two-star

Functional Selling Points

1. Two-star disinfection, high and low temperature disinfection;
2. 120L capacity with external rail;
3. 201 stainless steel bowl basket.

Cleaning Cabinet **ZTD65-A600****Product Specifications**

Size (W*H*D mm)	360*583*512
Embedded size (W*H*D mm)	364*589*560
Capacity (L)	65
Disinfection method	Low temperature
Disinfection level	/

Functional Selling Points

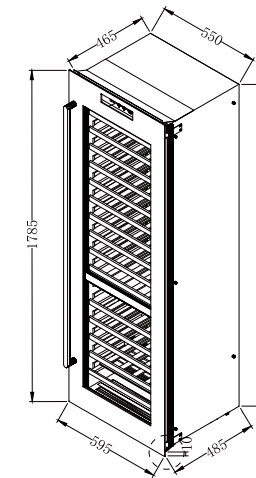
1. PTC hot air drying, cleanliness keeping, UV sterilization;
2. 65L capacity for storage of chopping boards, knives and cookware;
3. Fresh air storage;
4. Fully embedded installation with customisable cabinet doors.

Embedded Refrigerator **BCD-255W-CB626****Product Specifications**

Size (W*H*D mm)	540*540*1770
Cooling mode	Air cooling
Capacity (L)	255
Refrigerating/freezing capacity	184/71
Refrigerating capacity	2.0Kg/12h
Total power consumption	0.8kw.h/24h

Functional Selling Points

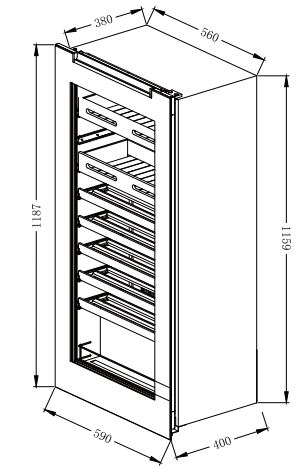
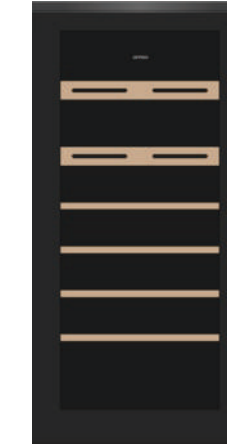
1. 255L capacity, refrigerated freezer.
2. Level 2 energy efficiency.
3. Fully embedded installation with customisable cabinet doors.

Red Wine Shelf **JC236-J638****Product Specifications**

Size (W*H*D mm)	595*1785*557
Embedded size (W*H*D mm)	564*1770*560
Cooling mode	Air cooling
Capacity (L)	236
Refrigerating/freezing capacity	236/0
Refrigerating capacity	/
Total power consumption	0.59kw.h/24h

Functional Selling Points

1. 236L capacity for 75 bottles of wine.
2. Level 2 energy efficiency.
3. Intelligent dual temperature zones for precise temperature control.

Western Kitchen Red Wine Shelf **JC100-J906-XC****Product Specifications**

Size (W*H*D mm)	590*1187*400
Embedded size (W*H*D mm)	564*1164*380
Cooling mode	Air cooling
Capacity (L)	100
Refrigerating/freezing capacity	100/0
Refrigerating capacity	/
Total power consumption	0.45kW · h/24h

Functional Selling Points

1. 100L capacity, refrigerator.
2. Level 1 energy efficiency.
3. Railed beech wood shelves and beech wood drawer for storing wine, tea and other items.

SINK FAUCET

Kitchen Accessories Sink/ Facet



Prague **PS317A****Product Specifications**

Main material	SUS304
Size (H*W*D mm)	460*420*200
Surface treatment	Wire drawing
Hole size above counter basin	440*400*R20
Hole size below counter basin	420*380*R20
Package configuration	ST1001+X037A

Functional Selling Points

1. Small size single sink, designed for small households / dining cabinets and other special scenarios;
2. Mercerization treatment, providing delicate and noble appearance;
3. Silence effect, noise reduction and vibration reduction with the silencing pad;
4. Posterior drainer set, with more space available in the cabinet.

Prague **PS311A****Product Specifications**

Main material	SUS304
Size (H*W*D mm)	ø440*190
Surface treatment	Wire drawing
Hole size above counter basin	ø410
Hole size below counter basin	ø404
Package configuration	ST1304+X037A

Functional Selling Points

1. One-piece stretching, pragmatism;
2. Mercerization treatment, providing delicate and noble appearance;
3. Simple design, showing personality and fashion;
4. Posterior drainer set, with more space available in the cabinet.

Nano Series **PS612C****Product Specifications**

Main material	SUS304
Size (H*W*D mm)	760*470*210
Surface treatment	nm
Hole size above counter basin	740*450*R20
Hole size below counter basin	720*430*R20
Package configuration	ST1106+DS601+X047

Functional Selling Points

1. One-piece stretching with SUS304 and simple large single sink, showing a classic and practical style;
2. Nano-coated surface, anti-fouling and anti-rust;
3. Super silence effect, no water noise;
4. Posterior drainer set, with more space available in the cabinet.

Nano Series **PS613C****Product Specifications**

Main material	SUS304
Size (H*W*D mm)	815*465*190
Surface treatment	nm
Hole size above counter basin	795*445*R60
Hole size below counter basin	790*442*R55
Package configuration	ST1106+DS602+X047

Functional Selling Points

1. New basin bottom structure, to remove water faster water, with stronger 3D sense;
2. Simple large single sink, providing super high space utilization;
3. Nano-coated surface, anti-fouling and anti-rust;
4. Posterior drainer set, with more space available in the cabinet.

Nano Series **PS6324C****Product Specifications**

Main material	SUS304
Size (H*W*D mm)	820*450*200
Surface treatment	nm
Hole size above counter basin	/
Hole size below counter basin	790*420*R10
Package configuration	ST1106+DP17A+DS603+CB603+X048

Functional Selling Points

1. One-piece stretching with SUS304 and practical double-sink design;
2. Nano-coated surface, anti-fouling and anti-rust;
3. Anti-condensation coating, effectively reducing moisture and protecting the cabinet;
4. Posterior drainer set, with more space available in the cabinet;
5. Used for integrated sink cabinet.

Weimar Series **PS615A-1****Product Specifications**

Main material	SUS304
Size (H*W*D mm)	760*470*215
Surface treatment	Wire drawing
Hole size above counter basin	740*450*R20
Hole size below counter basin	727*437*R15
Package configuration	ST1001+DP17A+X047

Functional Selling Points

1. One-piece stretching with SUS304 and mercerization treatment, providing delicate and noble appearance;
3. Delecate small bevel design with strong 3D sense;
3. Anti-condensation coating, effectively reducing moisture and protecting the cabinet;
4. Posterior drainer set, with more space available in the cabinet.

Nano Series **PS6222C****Product Specifications**

Main material	SUS304
Size (H*W*D mm)	760*470*200
Surface treatment	nm
Hole size above counter basin	740*450*R20
Hole size below counter basin	727*437*R54
Package configuration	ST1306+X048

Functional Selling Points

1. One-piece stretching with SUS304 and classic large and small sinks, showing a practical and beautiful appearance;
2. Nano-coated surface, anti-fouling and anti-rust;
3. Small bevel transition, novel appearance, and strong 3D sense;
4. Posterior drainer set, with more space available in the cabinet.

Nano Series **PS6322C****Product Specifications**

Main material	SUS304
Size (H*W*D mm)	860*470*200
Surface treatment	nm
Hole size above counter basin	840*450*R20
Hole size below counter basin	820*430*R30
Package configuration	ST1306+DP17A+CB603+X048

Functional Selling Points

1. One-piece stretching with SUS304, with strong load-bearing capacity;
2. Nano-coated surface, anti-fouling and anti-rust;
3. Classic large and small sinks, and reasonable washing partition, showing a practical and beautiful appearance;
4. Posterior drainer set, with more space available in the cabinet;
5. Used for integrated sink cabinet.

Nano Series **PS6221C-1****Product Specifications**

Main material	SUS304
Size (H*W*D mm)	760*470*200
Surface treatment	nm
Hole size above counter basin	745*455*R20
Hole size below counter basin	720*430*R30
Package configuration	ST1001+DP17A+X048

Functional Selling Points

1. One-piece stretching with SUS304, with strong load-bearing capacity;
2. Nano-coated surface, anti-fouling and anti-rust;
3. Anti-condensation coating, effectively reducing moisture and protecting the cabinet;
4. Posterior drainer set, with more space available in the cabinet;
5. Used for integrated sink cabinet.

Weimar Series **PS914C****Product Specifications**

Main material	SUS304
Size (H*W*D mm)	860*470*200
Surface treatment	Mercerization, straight grain
Surface treatment	Silky + hydrophilic nano-coating, rotary sander of basin bottom
Hole size above counter basin	835*445*R20
Hole size below counter basin	830*440*R25
Package configuration	ST1307+X047

Functional Selling Points

1. One-piece stretching with SUS304, anti-fouling and anti-rust nano coating 2.0;
2. Use the cabinet space effectively with the unique design of vacancy avoiding structure;
3. Posterior drainer set, with more space available in the cabinet.

Weimar Series **PS631****Product Specifications**

Main material	SUS304
Size (H*W*D mm)	620*427*205
Surface treatment	Mercerization, straight grain
Hole size above counter basin	/
Hole size below counter basin	570*377*R15
Package configuration	ST1307+X047

Functional Selling Points

1. One piece stretching with SUS304 and classic single sink design;
2. Small rounded corners providing more space, high-end appearance, not easy to hide dirt, easy to clean;
3. Mercerization treatment, providing delicate and noble appearance;
4. Only support under-the-counter installation;
5. Posterior drainer set, with more space available in the cabinet.

Weimar Series **PS630****Product Specifications**

Main material	SUS304
Size (H*W*D mm)	720*427*205
Surface treatment	Wire drawing
Hole size above counter basin	/
Hole size below counter basin	669.2*377*R15 (Four rounded corners)
Package configuration	ST1105+DP17A+X047

Functional Selling Points

1. One piece stretching with SUS304 and classic big single sink design;
2. Small rounded corners providing more space, high-end appearance, not easy to hide dirt, easy to clean;
3. Mercerization treatment, providing delicate and noble appearance;
4. Only support under-the-counter installation;
5. Posterior drainer set, with more space available in the cabinet.

Weimar Series **PS6301****Product Specifications**

Main material	SUS304
Size (H*W*D mm)	800*430*205
Surface treatment	Mercerization, straight grain
Hole size above counter basin	/
Hole size below counter basin	780*410*R30
Package configuration	ST1105+DP17A+X039A

Functional Selling Points

1. New basin bottom structure, to remove water faster water, with stronger 3D sense;
2. Simple large single sink, providing super high space utilization;
3. Nano-coated surface, anti-fouling and anti-rust;
4. Posterior drainer set, with more space available in the cabinet.

Cybertron Series **PS614A****Product Specifications**

Main material	SUS304
Size (H*W*D mm)	420*340*180
Surface treatment	Mercerization, straight grain
Hole size above counter basin	400*320*R20
Hole size below counter basin	380*300*R10
Package configuration	ST1001+X047

Functional Selling Points

1. SUS304 material;
2. Mellowing treatment, delicate and noble appearance, specially matched with the dining cabinet;
3. Posterior drainer set, with more space available in the cabinet.

Cybertron Series **PS9110****Product Specifications**

Main material	SUS304
Size (H*W*D mm)	820*450*200
Surface treatment	Mercerization, straight grain
Hole size above counter basin	/
Hole size below counter basin	795*425*R23
Package configuration	ST1306+DP17A+CB603+X048

Functional Selling Points

1. Hand-welded molding with a high-end square shape;
2. Classic large and small sinks, showing a practical and beautiful appearance;
3. Under-counter installation recommended;
4. Posterior drainer set, with more space available in the cabinet.

Cybertron Series **PS9210****Product Specifications**

Main material	SUS304
Size (H*W*D mm)	820*450*170
Surface treatment	Wire drawing
Hole size above counter basin	/
Hole size below counter basin	790*420*R20
Package configuration	ST1404+DP17A+CB603+X047 (two)

Functional Selling Points

1. Hand-welded molding with a high-end square shape;
2. Classic large and small sinks for convenient use;
3. Only for under-counter installation;
4. Posterior drainer set, with more space available in the cabinet;
5. Used for integrated sink cabinet.

Cybertron Series **PS9602D****Product Specifications**

Main material	SUS304
Size (H*W*D mm)	860*470*208
Surface treatment	Gun-gray PVD + nano coating
Hole size above counter basin	830*440*R10
Hole size below counter basin	830*440*R20
Package configuration	ST1305-1+DS901+DJ6B-TC+X048

Functional Selling Points

1. Hand-welded molding and classic dual-sink design with a high-end square shape;
2. Gun-gray PVD treatment and high-end texture;
3. High-strength nano coating;
4. 3mm solid thick panel without deformation;
5. Anti-condensation coating, effectively reducing moisture and protecting the cabinet;
6. Posterior drainer set, with more space available in the cabinet.

Cybertron Series **PS9603D****Product Specifications**

Main material	SUS304
Size (H*W*D mm)	760*470*213
Surface treatment	Gun-gray PVD + nano coating
Hole size above counter basin	730*440*R20
Hole size below counter basin	730*440*R20
Package configuration	ST1305-1+DS901+DJ6B-TC+X047

Functional Selling Points

1. Hand-welded molding and classic dual-sink design with a high-end square shape;
2. Gun-gray PVD treatment and high-end texture;
3. High-strength nano coating;
4. 3mm solid thick panel without deformation;
5. Anti-condensation coating, effectively reducing moisture and protecting the cabinet;
6. Posterior drainer set, with more space available in the cabinet.

Cybertron Series **PS9601A****Product Specifications**

Main material	SUS304
Size (H*W*D mm)	720*450*200
Surface treatment	Wire drawing
Hole size above counter basin	/
Hole size below counter basin	690*420*R20
Package configuration	ST1306+DP17A+CB603+X047

Functional Selling Points

1. Hand-welded molding with a high-end square shape;
2. Mercerization treatment, providing delicate and noble appearance;
3. Only support under-the-counter installation;
4. Anti-condensation coating, effectively reducing moisture and protecting the cabinet;
5. Posterior drainer set, with more space available in the cabinet;
6. Offset drain hole saving cabinet space, used for integrated sink cabinet.

Cybertron Series **PS915C****Product Specifications**

Main material	SUS304
Size (H*W*D mm)	760*470*200
Surface treatment	nm
Hole size above counter basin	730*440*R10
Hole size below counter basin	730*440*R20
Package configuration	ST1403-1+DS901+X047

Functional Selling Points

1. Hand-welded molding and large sink design with a high-end square shape;
2. Gun-gray PVD treatment and high-end texture;
3. High-strength nano coating;
4. 3mm solid thick panel without deformation;
5. Posterior drainer set, with more space available in the cabinet.

Cybertron Series **PS9221C****Product Specifications**

Main material	SUS304
Size (H*W*D mm)	860*470*200
Surface treatment	nm
Hole size above counter basin	830*440*R10
Hole size below counter basin	830*440*R20
Package configuration	ST1403-1+DS901+X048

Functional Selling Points

1. Hand-welded molding and large sink design with a high-end square shape;
2. Gun-gray PVD treatment and high-end texture;
3. High-strength nano coating;
4. 3mm solid thick panel without deformation;
5. Posterior drainer set, with more space available in the cabinet.

Cybertron Series **PS9228****Product Specifications**

Main material	SUS304
Size (H*W*D mm)	860*470*200
Surface treatment	Wire drawing
Hole size above counter basin	830*440*R20
Hole size below counter basin	/
Package configuration	ST1403

Functional Selling Points

1. Hand-welded molding with a high-end square shape;
2. Configuration of disinfection and purification module, providing safe and healthy use experience;
3. Mercerization treatment, providing delicate and noble appearance;
4. Posterior drainer set, with more space available in the cabinet.

Western Kitchen Series **PS971XC****Product Specifications**

Main material	SUS304
Size (H*W*D mm)	440*220*180
Surface treatment	nm
Hole size above counter basin	/
Hole size below counter basin	420*200*R10
Package configuration	

Functional Selling Points

1. Hand-welded molding with SUS304;
2. Nano-coated surface, anti-fouling and anti-rust;
3. Anti-condensation coating, effectively reducing moisture and protecting the cabinet;
4. Matched with dining cabinets and western kitchens;
5. Matched with the cup washer.

Western Kitchen Series **PS632XC****Product Specifications**

Main material	SUS304
Size (H*W*D mm)	340*220*120
Surface treatment	nm
Hole size above counter basin	/
Hole size below counter basin	300*180*R25mm
Package configuration	

Functional Selling Points

1. One-piece stretching with SUS304;
2. Nano-coated surface, anti-fouling and anti-rust;
3. Anti-condensation coating, effectively reducing moisture and protecting the cabinet;
4. Matched with dining cabinets and western kitchens.



Sistine Series GR9702

Product Specifications

Main material	SUS304
Size (H*W*D mm)	840*470*230
Surface treatment	/
Hole size above counter basin	800*450*R20
Hole size below counter basin	790*420*R10
Package configuration	ST1305-2+ DS603+DP17A+ CB603+X062A

Functional Selling Points

1. Made of top quality quartz stone, dense structure and soft texture.
2. Environmental protection without radiation and a variety of colors, injecting new vitality into the kitchen.
3. Excellent performance with super temperature difference resistance, high temperature resistance, corrosion resistance and impact resistance.
4. Posterior drainer set, with more space available in the cabinet.



Sistine Series GR9701

Product Specifications

Main material	SUS304
Size (H*W*D mm)	760*470*230
Surface treatment	/
Hole size above counter basin	740*450*R20
Hole size below counter basin	710*420*R20
Package configuration	ST1305-2+ DS603+DP17A+ CB603+X061A

Functional Selling Points

1. Made of quality quartz stone, dense structure and soft texture.
2. Environmental protection without radiation, injecting new vitality into the kitchen.
3. Excellent performance with super temperature difference resistance, high temperature resistance, corrosion resistance and impact resistance.
4. Posterior drainer set, with more space available in the cabinet.



Sistine Series GR512

Product Specifications

Main material	Quartz stone
Size (H*W*D mm)	760*470*210
Surface treatment	/
Hole size above counter basin	740*450*R20
Hole size below counter basin	710*420*R12
Package configuration	ST1105+X047

Functional Selling Points

1. Made of top quality quartz stone, dense structure and soft texture.
2. Environmental protection without radiation, injecting new vitality into the kitchen.
3. Excellent performance with super temperature difference resistance, high temperature resistance, corrosion resistance and impact resistance.
4. Posterior drainer set, with more space available in the cabinet.



Sistine Series GR5212

Product Specifications

Main material	Quartz stone
Size (H*W*D mm)	760*470*200
Surface treatment	/
Hole size above counter basin	740*450*R15
Hole size below counter basin	710*420*R5
Package configuration	ST1105+X048

Functional Selling Points

1. Made of quality quartz stone, dense structure and soft texture.
2. Environmental protection without radiation, injecting new vitality into the kitchen.
3. Excellent performance with super temperature difference resistance, high temperature resistance, corrosion resistance and impact resistance.
4. Posterior drainer set, with more space available in the cabinet.



Facet ST1001

Product Specifications

Main material	SUS304
Size	50*237*381
Surface treatment	Wire drawing

Functional Selling Points

1. Made of SUS304 material, with environmental protection and health.
2. Simple appearance, practical.
3. Standard international famous brand valve spool.



Facet ST1105

Product Specifications

Main material	SUS304 stainless steel
Size	57*261*430
Surface treatment	Wire drawing

Functional Selling Points

1. Made of SUS304 material, with environmental protection and health.
2. Standard international famous brand valve spool.
3. Pull-out faucet, more convenient to clean.
4. Dual-mode water output, suitable for a variety of use scenarios.
5. Brushed stainless steel surface, remaining fresh for a long time.



Facet ST1106

Product Specifications

Main material	SUS304 stainless steel
Size	57*257*470
Surface treatment	Wire drawing

Functional Selling Points

1. Made of SUS304 material, with environmental protection and health.
2. Standard international famous brand valve spool.
3. Pull-out faucet, more convenient to clean.
4. Dual-mode water output, suitable for a variety of use scenarios.
5. Brushed stainless steel surface, remaining fresh for a long time.



Facet ST1304

Product Specifications

Main material	Low-lead copper (The lead content is much lower than that of the national standard)
Size	58*220*362
Surface treatment	Chromium plating

Functional Selling Points

1. Made of SUS304 material, with environmental protection and health.
2. Simple appearance, practical.
3. Standard international famous brand valve spool.



Facet ST1305-1

Product Specifications

Main material	Low-lead copper (The lead content is much lower than that of the national standard)
Size	50*250*477
Surface treatment	Black + red

Functional Selling Points

1. Made of low-lead copper material, with environmental protection and health.
2. Standard international famous brand valve spool.
3. High-polishing shape, showing an original fashion.
4. Pull-out faucet, more convenient to use.



Facet ST1306

Product Specifications

Main material	Low-lead copper (The lead content is much lower than that of the national standard)
Size	54*246*420
Surface treatment	Chromium plating

Functional Selling Points

1. Made of low-lead copper material, with environmental protection and health.
2. Standard international famous brand valve spool.
3. Water hose, more convenient to clean.



Facet ST1307

Product Specifications

Main material	Low-lead copper (The lead content is much lower than that of the national standard)
Size	50*270*415
Surface treatment	Chromium plating

Functional Selling Points

1. Made of low-lead copper material, with environmental protection and health.
2. Standard international famous brand valve spool.
3. Water hose, more convenient to clean.



Facet ST1403

Product Specifications

Main material	Low-lead copper (The lead content is much lower than that of the national standard)
Size	49*243*400
Surface treatment	Chromium plating

Functional Selling Points

1. Pull-out faucet, more convenient to clean.
2. Dual-mode water output, suitable for a variety of life scenarios.
3. Touch switch, humanized intelligence and high-end fashion.
4. Standard international famous brand valve spool.



Facet **ST1403-1**

Product Specifications

Main material	Low-lead copper (The lead content is much lower than that of the national standard)
Size	49*243*400
Surface treatment	Black + gold

Functional Selling Points

1. Pull-out faucet, more convenient to clean;
2. Dual-mode water output, suitable for a variety of life scenarios;
3. Touch switch, humanized intelligence and high-end fashion;
4. Standard international famous brand valve spool



Facet **ST1404**

Product Specifications

Main material	Low-lead copper (The lead content is much lower than that of the national standard)
Size	49*243*400
Surface treatment	Chromium plating

Functional Selling Points

1. Made of low-lead copper material, with environmental protection and health;
2. Dual-mode water output, suitable for a variety of use scenarios;
3. Pull-out faucet, more convenient to clean;
4. Standard international famous brand valve spool



Facet **ST1404**

Product Specifications

Main material	Low-lead copper (The lead content is much lower than that of the national standard)
Size	60*266*534
Surface treatment	Chromium plating

Functional Selling Points

1. Made of low-lead copper material, with environmental protection and health;
2. Pull-out hose, more convenient to clean;
3. Standard international famous brand valve spool



Facet **ST1308**

Product Specifications

Main material	Low-lead copper + zinc alloy
Size	51*193*186
Surface treatment	Black

Functional Selling Points

1. Low-lead copper water passing parts;
2. Pull-out faucet, more convenient to clean;
3. Dual-mode water output, suitable for a variety of use scenarios;



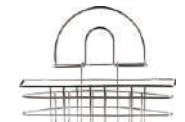
Stainless Steel Draining Basket

DS901



Stainless Steel Draining Basket

DP17A



Stainless Steel Accessory

DS601



Stainless Steel Accessory

DS602



Stainless Steel Accessory

DP17



Stainless Steel Accessory

DP17



Draining Accessory

X047



Draining Accessory

X048



Draining Accessory

X039A



Draining Accessory

X037A



Angle Valve

SF03



Integrated Drainer

X060

KITCHEN STORAGE

Kitchen Accessories **Storage**





Athena Series



Ares 3.0 Series

**LW060/070/080/090C1-1****Product Specifications**

Product category	Fashion plate-type nano dish basket 600/700/800/900
Main material	ABS, dark gray, spray coating, low-carbon steel/nano dry coating
Matched cabinet	Standard 600/700/800/900 pull-out floor cabinet
Size (W*D*H mm)	564/664/764/864*468*174
Installation size (W*D*H mm)	564/664/764/864*≥475*≥190
	568/668/768/968*≥475*≥190
Note: To ensure that the 8-inch disk can be inserted, the net height should be ≥ 255mm	

Functional Selling Points

1. Integrated basket design with beautiful high-end appearance.
2. Dish inserting line structure, flexible and convenient.
3. Simple structure and high cost performance.
4. Nano dry plating of on the surface of line-body plug-ins.

LT060/070/080/090C1-1**Product Specifications**

Product category	Fashion plate-type nano flat net basket 600/700/800/900
Main material	ABS, dark gray, spray coating, low-carbon steel/nano dry coating
Matched cabinet	Standard 600/700/800/900 pull-out floor cabinet
Size (W*D*H mm)	564/664/764/864*468*174
Installation size (W*D*H mm)	564/664/764/864*≥475*≥190
	568/668/768/968*≥475*≥190

Functional Selling Points

1. Integrated basket design with beautiful high-end appearance.
2. Dish inserting line structure, flexible and convenient.
3. Simple structure and high cost performance.
4. Nano dry plating of on the surface of line-body plug-ins.

LDO30/035/040/045C1-1**Product Specifications**

Product category	Fashion plate-type nano multi-functional basket 300/350/400/450
Main material	ABS, dark gray, spray coating, low-carbon steel/nano dry coating
Matched cabinet	Standard 300/350/400/450 pull-out floor cabinet
Size (W*D*H mm)	264/314/364/414*467*527
Installation size (W*D*H mm)	264/314/364/414*≥475*≥555
	268/318/368/418*≥475*≥555

Functional Selling Points

1. Integrated basket design with beautiful high-end appearance.
2. Dish inserting line structure, flexible and convenient.
3. Simple structure and high cost performance.
4. Nano dry plating of on the surface of line-body plug-ins.

LW060/070/080/090B1**Product Specifications**

Product category	Second-generation stainless steel dish storage 600/700/800/900
Main material	Stainless steel/electrolysis
Matched cabinet	Standard 600/700/800/900 pull-out floor cabinet
Configuration	Water tray + cutlery box + cup holder
Size (W*D*H mm)	536/636/736/836*467*135
Installation size (W*D*H mm)	564/664/764/864*≥485*≥235
	568/668/768/868*≥485*≥235
Note: To ensure that the 8-inch disk can be inserted, the net height should be ≥ 255mm	

Functional Selling Points

1. Stainless steel basket, strong rust-proof performance, environmental protection and safety use.
2. Clear partition with double rows each for bowls and dishes, to enhance storage capacity.
3. Front chopstick basket for quick access.
4. Screw hidden design with an implanted decorative cover to cover the screw bracket.
5. Standard water tray to store leachate, easy to clean.

LT060/070/080/090B1**Product Specifications**

Product category	Second-generation stainless steel flat net storage 600/700/800/900
Main material	Stainless steel/electrolysis
Matched cabinet	Standard 600/700/800/900 pull-out floor cabinet
Configuration	Water tray
Size (W*D*H mm)	536/636/736/836*467*135
Installation size (W*D*H mm)	564/664/764/864*≥485*≥190
	568/668/768/868*≥485*≥190

Functional Selling Points

1. Stainless steel basket, strong rust-proof performance, environmental protection and safety use.
2. Large storage capacity to store cookwares, often installed in the lower space of the floor cabinet.
3. Screw hidden design with an implanted decorative cover to cover the screw bracket.
4. Standard water tray to store leachate, easy to clean.

LD030/035/040/045B1**Product Specifications**

Product category	Second-generation stainless steel multi-functional basket 300/350/400/450
Main material	Stainless steel/electrolysis
Matched cabinet	Standard 300/350/400/450 floor cabinet
Configuration	Water tray
Size (W*D*H mm)	264/314/364/414*470*498
Installation size (W*D*H mm)	264/314/364/414*≥485*≥500
	268/318/368/418*≥485*≥500

Functional Selling Points

1. Stainless steel basket, strong rust-proof performance, environmental protection and safety use.
2. Functional partition, tidy storage and easy cleaning.
3. Bottles, jars, knives and other items can be placed in the cabinet, and one-piece pull-out door panel is installed.



Ares 2.0 Series



Apollo Series



LA060/070/080/090TF-2

Product Specifications

Product category	Stainless steel flat net storage 600/700/800/900
Main material	Stainless steel/electrolysis
Matched cabinet	Standard 600/700/800/900 pull-out or open-type floor cabinet
Configuration	Water tray
Size (W*D*H mm)	564/664/764/864*463*168
Installation size (W*D*H mm)	564/664/764/864*≥485*≥190 568/668/768/868*≥485*≥190

Functional Selling Points

1. Stainless steel basket, strong rust-proof performance, environmental protection and safety use.
2. Clear partition with double rows each for bowls and dishes, to enhance storage capacity.
3. Standard deposit cabinet for the convenient storage of cooking utensils.
4. Standard water tray to store leachate, easy to clean.



LA060/070/080/090WH-2

Product Specifications

Product category	Stainless steel dish storage 600/700/800/900
Main material	Stainless steel/electrolysis
Matched cabinet	Standard 600/700/800/900 pull-out or open-type floor cabinet
Configuration	Water tray
Size (W*D*H mm)	564/664/764/864*463*168
Installation size (W*D*H mm)	564/664/764/864*≥485*≥235 568/668/768/868*≥485*≥235

Note: To ensure that the 8-inch disk can be inserted, the net height should be ≥ 255mm

Functional Selling Points

1. Stainless steel basket, strong rust-proof performance, environmental protection and safety use.
2. Large storage capacity to store cookwares, often installed in the lower space of the floor cabinet;
3. Standard water tray to store leachate, easy to clean.



LD030C/LD035C/LD040C/LD045B-2

Product Specifications

Product category	Stainless steel multi-functional basket 300/350/400/450
Main material	Stainless steel/electrolysis
Matched cabinet	Standard 300/350/400/450 floor cabinet
Configuration	Water tray
Size (W*D*H mm)	264/314/364/414*470*450
Installation size (W*D*H mm)	261/314/364/414*≥485*≥490 268/318/368/418*≥485*≥490

Functional Selling Points

1. Stainless steel basket, strong rust-proof performance, environmental protection and safety use.
2. Bottles, jars, knives and other items can be placed in the cabinet, and one-piece pull-out door panel is installed.
3. Standard water tray to store leachate, easy to clean.



LW060/070/080/090D-1

Product Specifications

Product category	Noble plate-type cleaning dish basket 600/700/800/900
Main material	Q235/spray coating, ABS (metal plate type)
Matched cabinet	Standard 600/700/800/900 pull-out floor cabinet
Configuration	Sterilization lamp + power supply
Size (W*D*H mm)	564/664/764/864*465*205
Installation size (W*D*H mm)	564/664/764/864*≥475*≥235 568/668/768/868*≥475*≥235

Note: To ensure that the 8-inch disk can be inserted, the net height should be ≥ 255mm

Functional Selling Points

1. Functional partition, tidy storage, easy cleaning and high grade.
2. It can stay in the Neutral salt spray for 96 hours, demonstrating strong rustproof performance.
3. UV cleaning function when closed, lighting function when opened.



LW060/070/080/090D-1

Product Specifications

Product category	Noble plate-type cleaning flat net basket 600/700/800/900
Main material	Q235/spray coating, ABS (metal plate type)
Matched cabinet	Standard 600/700/800/900 pull-out floor cabinet
Configuration	Sterilization lamp + power supply
Size (W*D*H mm)	564/664/764/864*465*126
Installation size (W*D*H mm)	564/664/764/864*≥475*≥190 568/668/768/868*≥475*≥190

Functional Selling Points

1. Functional partition, tidy storage, easy cleaning and high grade.
2. It can stay in the Neutral salt spray for 96 hours, demonstrating strong rustproof performance.
3. UV cleaning function when closed, lighting function when opened.



LD030/35/040/450D1-1

Product Specifications

Product category	Noble plate-type cleaning multi-functional basket 300/350/400/450
Main material	Q235/spray coating, ABS (metal plate type)
Matched cabinet	Standard 300/350/400/450 pull-out floor cabinet
Configuration	Sterilization lamp + power supply
Size (W*D*H mm)	264/314/364/414*475*554
Installation size (W*D*H mm)	264/314/364/414*≥480*≥560 268/318/368/418*≥480*≥560

Functional Selling Points

1. Functional partition, tidy storage, easy cleaning and high grade.
2. It can stay in the Neutral salt spray for 96 hours, demonstrating strong rustproof performance.
3. UV cleaning function when closed, lighting function when opened.



Elegance Series



LT060/080/090F6-1

Product Specifications

Product category	Elegant space-drawer flat net storage 600/800/900
Main material	Low-carbon steel / powder coating + oak (metal plate type)
Matched cabinet	Standard 600/700/800/900 pull-out floor cabinet
Configuration	Anti-slip mouse pattern pad
Size (W*D*H mm)	544/644/744/844*459*119
Installation size (W*D*H mm)	564/664/764/864*≥475*≥190 568/668/768/868*≥475*≥190

Functional Selling Points

1. Ultra-thin basket body, providing more storage space than the general pull-out basket or drawer, for the storage of pots and other large products.
2. Basket body made of metal plate-type oak, surface treatment with environmental protection spraying, basket bottom made of anti-slip mouse pattern pad, absolutely anti-slip, waterproof and more durable.
3. Simple and beautiful exterior.
4. Matched with 600/800/900 standard floor cabinet.



LK060/090QF6-1

Product Specifications

Product category	Elegant wall cabinet basket 600/900
Main material	Low-carbon steel / powder coating + oak (metal plate type)
Matched cabinet	Standard 600/900 open-type or flip-up door wall cabinet
Configuration	Double-layer basket + anti-slip mouse pattern pad
Size (W*D*H mm)	562/862*257*544
Installation size (W*D*H mm)	(564-568)*≥300*≥650 (864-868) *≥300*≥650

Functional Selling Points

1. Elegant wall cabinet double-layer basket; wall cabinet storage solutions to perfectly solve the problem of hard access to items placed in the depth of the wall cabinet.
2. Basket body made of metal plate-type oak, surface treatment with environmental protection spraying, basket bottom made of anti-slip mouse pattern pad, absolutely anti-slip, waterproof and more durable.
3. Simple and beautiful exterior.
4. Matched with 600/900 wall cabinet.



LW060/080/090F9-1

Product Specifications

Product category	Elegant space-drawer multi-functional dish storage 600/800/900
Main material	Low-carbon steel / powder coating + oak (metal plate type)
Matched cabinet	Standard 600/700/800/900 pull-out floor cabinet
Configuration	Anti-slip mouse pattern pad + a dish holder group + water tray + storage box
Size (W*D*H mm)	544/644/744/844*459*120
Installation size (W*D*H mm)	544/644/744/844*≥475*≥235 Note: To ensure that the 8-inch disk can be inserted, the net height should be ≥ 255mm

Functional Selling Points

1. Ultra-thin basket body, providing more storage space than the general pull-out basket or drawer, for the storage of pots and other large products.
2. Basket body made of metal plate-type oak, surface treatment with environmental protection spraying, basket bottom made of anti-slip mouse pattern pad, absolutely anti-slip, waterproof and more durable.
3. Simple and beautiful exterior.
4. Matched with 600/800/900 standard floor cabinet.



LZ900FR9-1/LZ900FL9-1

Product Specifications

Product category	Elegant Lazy Susan 900
Main material	Low-carbon steel / powder coating + oak (metal plate type)
Matched cabinet	Standard 900 corner cabinet with 450mm-wide door
Configuration	Double-layer basket + anti-slip mouse pattern pad
Size (W*D*H mm)	(864-968)*(520-560)*530
Installation size (W*D*H mm)	(864-868)*≥(520-560)*≥600

Functional Selling Points

1. Perfect corner cabinet storage solution providing the best use of space.
2. Basket body made of metal plate-type oak, surface treatment with environmental protection spraying, basket bottom made of anti-slip mouse pattern pad, absolutely anti-slip, waterproof and more durable.
3. Simple and beautiful appearance.



LD030/035/040/045F9-1

Product Specifications

Product category	Elegant space-drawer condiment storage 300/350/400/450
Main material	Low-carbon steel / powder coating + oak (metal plate type)
Matched cabinet	Standard 300/350/400/450 pull-out floor cabinet
Configuration	Anti-slip mouse pattern pad + a group of storage dividers
Size (W*D*H mm)	244/294/344/394*454*119
Installation size (W*D*H mm)	244/294/344/394*≥475*≥190 248/298/348/398*≥475*≥190

Functional Selling Points

1. Ultra-thin basket body, providing more storage space than the general pull-out basket or drawer, and a combination of dividers for storage.
2. Basket body mainly made of iron and oak, surface treatment with environmental protection spraying, basket bottom made of anti-slip mouse pattern pad, absolutely anti-slip, waterproof and more durable.
3. Simple and beautiful exterior.
4. Matched with 300/350/400/450 standard floor cabinet.



LK0045/60F9-1

Product Specifications

Product category	Elegant floor cabinet linked-basket 600
Main material	Low-carbon steel / powder coating + oak (metal plate type)
Matched cabinet	Standard 450/600 floor cabinet (Hinge-opened type) Hinge opening angle of more than 165 degrees
Configuration	Double-layer basket + anti-slip mouse pattern pad
Size (W*D*H mm)	370/520*480*614
Installation size (W*D*H mm)	414/418*≥490*≥632 564/568*≥490*≥632

Functional Selling Points

1. Simple and beautiful exterior.
2. Matched with 450/600 standard floor cabinet.
3. Hinge opening angle of more than 165 degrees.



LK045/060HF9-1

Product Specifications

Product category	Elegant high cabinet linked-basket 450/600
Main material	Low-carbon steel / powder coating + oak (metal plate type)
Matched cabinet	Standard 450/600 high cabinet (hinge-opened type) hinge opening angle of more than 165 degree
Configuration	Five-layer basket + anti-slip mouse pattern pad
Size(W*D*H mm)	355/505*487*1720-2020
Installation size (W*D*H mm)	(414/418)*≥490*1720-2020 (564/568)*≥490*1720-2020

Functional Selling Points

1. Ultra-thin basket body, providing more storage space than the general pull-out basket, an effective solution of the high basket-linked cabinet.
2. Basket body made of metal plate-type oak, surface treatment with environmental protection spraying, basket bottom made of anti-slip mouse pattern pad, absolutely anti-slip, waterproof and more durable.
3. Simple and beautiful exterior.
4. Matched with 450/600 standard high cabinet.
5. Hinge opening angle of more than 155 degrees.



LK045/060MF9-1

Product Specifications

Product category	Elegant middle cabinet linked-basket 450/600
Main material	Low-carbon steel / powder coating + oak (metal plate type)
Matched cabinet	Standard 450/600 high cabinet (hinge-opened type) hinge opening angle of more than 165 degree
Configuration	Four-layer basket + anti-slip mouse pattern pad
Size(W*D*H mm)	355/505*487*(1340-1660)
Installation size (W*D*H mm)	(414/418) *≥490*(1340-1660) (564/568) *≥490*(1340-1660)

Functional Selling Points

1. Ultra-thin basket body, providing more storage space than the general pull-out basket, an effective solution of the high basket-linked cabinet.
2. Basket body made of metal plate-type oak, surface treatment with environmental protection spraying, basket bottom made of anti-slip mouse pattern pad, absolutely anti-slip, waterproof and more durable.
3. Simple and beautiful exterior.
4. Matched with 450/600 standard high cabinet.
5. Hinge opening angle of more than 155 degrees.



LT060/080MF9-1

Product Specifications

Product category	Elegant solid wood utensil divider box
Main material	Low-carbon steel / powder coating + oak (metal plate type)
Matched cabinet	Standard 600/800 cabinet (Hinge-opened type/ open-type cabinet)
Configuration	Oak utensil dividers + anti-slip mouse pattern pad
Size(W*D*H mm)	531/731*461*95
Installation size (W*D*H mm)	(564/568)*≥495*≥135 (764/768)*≥495*≥135

Functional Selling Points

1. Ultra-thin basket body, providing more storage space than the general pull-out basket or drawer, and a combination of dividers for storage.
2. Basket body made of metal plate-type oak, surface treatment with environmental protection spraying, basket bottom made of anti-slip mouse pattern pad, absolutely anti-slip, waterproof and more durable.
3. Simple and beautiful exterior.
4. Matched with 600/800 floor cabinet/ high and middle cabinet.



LK045/060HF9-1

Product Specifications

Product category	Elegant tall pull-out basket
Main material	Low-carbon steel / powder coating + oak (metal plate type)
Matched cabinet	Standard 300 high cabinet
Configuration	Six-layer basket + anti-slip pad
Size(W*D*H mm)	264*510* (1960-2260mm)
Installation size (W*D*H mm)	264/268*≥510*≥1960

Functional Selling Points

1. Ultra-thin basket body, providing more storage space than the general pull-out basket, an effective solution of the high basket-linked cabinet.
2. Basket body made of metal plate-type oak, surface treatment with environmental protection spraying, basket bottom made of anti-slip mouse pattern pad, absolutely anti-slip, waterproof and more durable.
3. Simple and beautiful exterior.
4. Matched with 450/600 standard high cabinet.
5. Hinge opening angle of more than 155 degrees.

Functional Storage Series

LN060/090DC5

Product Specifications

Product category	Wall cabinet bottom shelf (single-layer) 600/900
Main material	Low-carbon steel / powder coating + acrylic panels
Matched cabinet	Bottom of the wall cabinet
Configuration	Single-layer basket
Size(W*D*H mm)	600/900*300*300mm
Installation size (W*D*H mm)	600/900*300*80(closed) 600/900*300*300(open)

Functional Selling Points

1. When in use, pull down, when not in use, easy to fold, without affecting the space above the table.
2. Installed at the bottom of the wall cabinet, for the temporal placement of dishes, food, vegetables, etc., easy access.



LN045/060DF9

Product Specifications

Product category	SUSPA back pull-out basket
Main material	Aluminium alloy/ oxidation + PP + PA
Matched cabinet	450/600 wall cabinet
Configuration	/
Size(W*D*H mm)	398/548*113*722
Installation size (W*D*H mm)	414/418*≥135*≥680 564/568*≥135*≥680

Functional Selling Points

1. Aluminium alloy oxidation material, light quality and corrosion resistance.
2. Back pull-down type, easy access, smooth and silent pull-out.
3. Hidden design, simple and beautiful.



LN060/090DF6

Product Specifications

Product category	Wall cabinet bottom shelf (double-layer) 600/900
Main material	Aluminium/ oxidation + ABS
Matched cabinet	Bottom of the wall cabinet
Configuration	Double-layer basket
Size(W*D*H mm)	590/890*210*448mm
Installation size (W*D*H mm)	590/890*210*90(closed) 590/890*210*448(open)

Functional Selling Points

1. When in use, pull down, when not in use, easy to fold, without affecting the space above the table.
2. Installed at the bottom of the wall cabinet, for the temporal placement of dishes, food, vegetables, etc., easy access.
3. Double-layer storage, providing more space.



LK060/080/090QA2

Product Specifications

Product category	wall cabinet linked basket 600/800/900
Main material	Low-carbon steel, spray coating, dark grey
Matched cabinet	Standard 600/800/900 open-type or flip-up door wall cabinet
Configuration	Double-layer basket
Size(W*D*H mm)	564/764/864*260*547
Installation size (W*D*H mm)	564//764/864*≥300*≥650 568//768/868*≥300*≥650

Functional Selling Points

1. Basket bottom made of diamond-shaped anti-slip pads, absolutely anti-slip, waterproof and more durable.
2. Double-layer basket, easy to pull out, perfect solution for wall cabinet storage of common dry goods.



LN060/090D4

Product Specifications

Product category	Down-flip storage box 600/900
Main material	Aluminium alloy/Q235, spray coating, ABS
Matched cabinet	Bottom of the 600/900 wall cabinet
Configuration	/
Size(W*D*H mm)	600/900*310*165
Installation size (W*D*H mm)	600/900*≥310*≥420

Functional Selling Points

1. Closed storage, free from kitchen grease.
2. Aluminium alloy material products, with assured quality.
3. 30,000 times switching maximum load-bearing weight of 10KG, and solid structure without shaking feeling.



LK060/090QD9

Product Specifications

Product category	Metal plate-type wall cabinet basket
Main material	Low-carbon steel/ spray coating + PS
Matched cabinet	Standard wall cabinet 600/900
Configuration	Double-layer basket
Size(W*D*H mm)	564/864*267/530
Installation size (W*D*H mm)	564/568*≥300*≥650 864/868*≥300*≥650

Functional Selling Points

1. Plate type, high-end quality, standard anti-slip pad, anti-slip, silent, easy to clean.
2. Unique damping design allowing air hovering and smooth and silent pull-out.
3. Automatic rebound for light loads and return to position after gentle lifting for heavy loads.

Functional Storage Series



LK060H-2A

Product Specifications

Product category	High cabinet pull-down basket 600
Main material	Low-carbon steel, spray coating, PP, dark grey
Matched cabinet	Upper space of 600 wide electrical cabinet
Configuration	Double-layer basket
Size(W*D*H mm)	564*455*545
Installation size (W*D*H mm)	564/568*≥500*≥650

Functional Selling Points

1. Basket bottom made of diamond-shaped anti-slip pads, absolutely anti-slip, waterproof and more durable.
2. Matched with the upper space of the electrical cabinet, solving the storage problem of the upper space of the electrical cabinet.
3. Linkage pull-out. Weight-bearing door panels without deformation, with extra large capacity.



LK060HD9

Product Specifications

Product category	High cabinet two-level pull-down basket 600
Main material	Low-carbon steel/Q235/ABS/spray coating
Matched cabinet	Standard 600 high cabinet (upper space of the electrical cabinet)
Configuration	Double-layer basket + interior basket
Size(W*D*H mm)	564*480*497
Installation size (W*D*H mm)	564/568*≥490*≥500

Functional Selling Points

1. Two-level pull-down space to store Transformers.
2. Protective net configuration, safe and durable.
3. Pull down 0.6m to easily get items from high places.



LA060B2

Product Specifications

Product category	Fruit and vegetable storage basket 600
Main material	Q235/spray coating, PP
Matched cabinet	Standard 600 pull-out/hinged door floor cabinet
Size(W*D*H mm)	564*465*240
Installation size (W*D*H mm)	564/568*≥475*≥260

Functional Selling Points

1. Aluminium alloy oxidation material, light quality and corrosion resistance.
2. Back pull-down type, easy access, smooth and silent pull-out.
3. Hidden design, simple and beautiful.



LS040B1

Product Specifications

Product category	Toiletries door storage rack
Main material	Q235/spray coating, ABS
Matched cabinet	900-1200 hinge door sink cabinet
Size(W*D*H mm)	(Single door 450-600) 502*123*560
Installation size (W*D*H mm)	414-568*≥115*≥560

Functional Selling Points

1. Small size, shallow depth, reasonable arrangement of the remaining space in the sink cabinet.
2. Weight-bearing support base in the cabinet without weight-bearing of the door, to effectively avoid door deformation.
3. Adjustable upper-layer height, suitable for various kinds of sink cabinets.



LS045D5

Product Specifications

Product category	Toiletries door storage rack
Main material	Q235/spray coating, ABS
Matched cabinet	900-1200 hinge door sink cabinet
Size(W*D*H mm)	(Single door 450-600) 368*71*600
Installation size (W*D*H mm)	414-568*≥100*≥600

Functional Selling Points

1. Small size, shallow depth, reasonable arrangement of the remaining space in the sink cabinet.
2. Door storage for small tools, load capacity up to 10KG.
3. Flexible hook movement, suitable for a variety of sink cabinets.

Functional Storage Series



LK045A1

Product Specifications

Product category	Nano door-linked floor cabinet
Main material	Low-carbon steel/ spray coating + ABS
Matched cabinet	450 floor cabinet
Configuration	Basket*1 + storage box*1 + hook
Size(W*D*H mm)	500*142*586mm
Installation size (W*D*H mm)	414/418*≥150*≥590mm

Functional Selling Points

1. External storage layer, storage partition.
2. Surface treatment of nano dry plating, 96-hour neutral salt spray test.
3. Matched with 450 floor cabinets, door storage, and 175mm+ inward reduction of the laminate width.
4. Mounting structure in the cabinet without weight-bearing of the door.

Drawer Divider Series



CT050/060/090/100WPF

Product Specifications

Product category	Combined low top drawer accessories
Main material	Aluminium alloy+ plastic
Size	382/482/782/882*472*50
Matched drawer	Blum square rod drawer PWWW001GA and built-in square rod drawer PWWWN001GA Hettich luxury drawer PWWW003GA and built-in PWWWN003GA

Functional Selling Points

1. Functional modules can be freely combined for simple installation and flexible regulation of storage space in the cabinet.
2. Beautiful Aluminium alloy spraying.
3. Clear classification of items.



LK060A-1

Product Specifications

Product category	Metal plate-type floor cabinet linked basket
Main material	Low-carbon steel/ spray coating + PS
Matched cabinet	600 floor cabinet
Configuration	Three-layer basket inside the cabinet + three-layer basket on the door
Size(W*D*H mm)	544*502*517
Installation size (W*D*H mm)	564/568*≥510*≥550

Functional Selling Points

1. External storage layer, storage partition.
2. Surface treatment of nano dry plating, 96-hour neutral salt spray test.
3. Matched with 450 floor cabinets, door storage, and 175mm+ inward reduction of the laminate width.
4. Mounting structure in the cabinet without weight-bearing of the door.



LK045HA1

Product Specifications

Product category	Nano door-linked high cabinet
Main material	Low-carbon steel/ spray coating + ABS
Matched cabinet	450 high cabinet
Configuration	Basket*4 + storage box + hook*2
Size(W*D*H mm)	500*142*1792mm
Installation size (W*D*H mm)	414/418*≥150*≥1800mm

Functional Selling Points

1. External storage layer, storage partition.
2. Surface treatment of nano dry plating, 96-hour neutral salt spray test.
3. Matched with 450 high cabinets, door storage, and 175mm+ inward reduction of the laminate width.
4. Mounting structure in the cabinet without weight-bearing of the door.



CT050/060/090/100WFF

Product Specifications

Product category	Combined low top drawer accessories
Main material	Aluminium alloy+ plastic
Size	382/482/782/882*472*50
Matched drawer	Blum square rod drawer PWWW001CC Hettich luxury drawer PWWW003GC/PWWW003GD

Functional Selling Points

1. Functional modules can be freely combined for simple installation and flexible regulation of storage space in the cabinet.
2. Beautiful Aluminium alloy spraying.
3. Clear classification of items.



WALL STORAGE

Kitchen Accessories Wall Storage



GJF9-TC

Product Specifications

Product category	Elegant wall storage set
Main material	Low-carbon steel/ spray coating
Hanging rod length	Storage shelf*1+magnetic wooden knife holder*1+stainless steel chopstick box*1+hooks*2+plate*2 +0.9m hanging rod

Functional Selling Points

1. Easy-to-clean plate and multifunction;
2. one-piece moulding with cold stamping and black walnut decorative strip, demonstrating more high-end style;
3. Suitable for various design styles of the kitchen.



GJ010

Product Specifications

Product category	Multimedia intelligent wall storage (lite version)
Main material	Aluminium alloy/ low-carbon steel/ spray coating
Hanging rod length	0.9m

Functional Selling Points

1. Socket, audio, lighting, intelligent display and many other functional modules;
2. Integration of lighting control and wall storage;
3. Wall storage made by iron toner craft pendant, presenting high-end appearance.



GJO-TC

Product Specifications

Product category	Wall storage set O
Main material	Stainless steel/electrolysis
Hanging rod length	0.6m

Functional Selling Points

1. Short size, flexible combination;
2. Stainless steel material with strong rust-proof performance;
3. Matched with both sides of the sink for storage.



GJP-TC

Product Specifications

Product category	Wall storage set P
Main material	Stainless steel/electrolysis
Hanging rod length	0.6m

Functional Selling Points

1. Short size, flexible combination;
2. Stainless steel material with strong rust-proof performance;
3. Matched with both sides of the sink for storage.



GWS-TC

Product Specifications

Product category	Kitchen wall mounted storage set
Main material	Q195 low-carbon steel/ spray coating
Hanging rod length	Hanging bar with hooks*1, storage rack for seasoning bottles and jars*1, knife rack + chopstick box*1, pot rack and chopping board rack*2 and wall basket*1

Functional Selling Points

1. Wall storage for kitchen utensils, wall mounted hardware storage kit including the wall mounted seasoning bottle rack, knife rack chopsticks box, pot rack and chopping board rack;
2. Hardware technology, wall mounting without punching holes, simple operation;
3. Simple and beautiful exterior;
4. Reasonable use of walls and wall corners.



GWW-TC

Product Specifications

Product category	Kitchen wall mounted storage set (lite version)
Main material	Q195 low-carbon steel/ spray coating
Hanging rod length	Storage rack for seasoning bottles and jars (40*13.5*7.5CM) Knife rack and chopsticks box (18*9*20CM)

Functional Selling Points

1. Wall mounted hardware storage kit including wall mounted seasoning bottle rack, knife rack and chopsticks box;
2. Hardware technology, wall mounting without punching holes, simple operation;
3. Simple and beautiful exterior;
4. Reasonable use of walls and wall corners.



MT007

Product Specifications

Product category	Pull-out rice box
Main material	Color steel plate
Matched cabinet	Standard 300 pull-out floor cabinet
Capacity	30KG
Configuration	18° Blum half-pull side-mounted rail
Size(W*D*H mm)	240*497*565
Installation size (W*D*H mm)	264/268*≥510*≥575

Functional Selling Points

1. Matched with 300 pull-out cabinets, double-layer box with imported Blum track, more than 10W times pull-out with smooth and silent effect.
2. Insect-proof, moisture-proof, fine workmanship, good sealing performance, easy to store, no insects or ants entering the storage box, more isolated from the air, date indicator function to easily record the date of rice storage, built-in reset handle to return its original position at the touch of a button in case of rice stuck in the mechanism.



MT008

Product Specifications

Product category	Pull-out rice box
Main material	Q195 steel + PP plastic + ABS
Matched cabinet	Standard 600 pull-out floor cabinet
Capacity	/
Configuration	18° Blum half-pull side-mounted rail
Size(W*D*H mm)	529*467.4*237
Installation size (W*D*H mm)	564/568*≥500*≥260

Functional Selling Points

1. Matched with 600 pull-out cabinets, double-layer box with imported Blum track, more than 10W times pull-out with smooth and silent effect.
2. Used for storing all kinds of cereals and grains with good sealing performance, moisture-proof and insect-proof, easy to switch, convenient access.



WT010

Product Specifications

Product category	Pull-out rice box
Main material	Q235/ABS/PP/PS/PA6
Matched cabinet	Standard 600 floor cabinet
Size(W*D*H mm)	564/568*460*212
Installation size (W*D*H mm)	564/568*≥460*≥212

Functional Selling Points

1. Easy insertion of 600-wide cabinets;
2. Four buckets sorted for waste classification and storage, with lids for easy extraction and cleaning.



WT011

Product Specifications

Product category	Pull-out rice box
Main material	Low-carbon steel + PP
Matched cabinet	900-1200 sink cabinet *720 mm high
Size(W*D*H mm)	247*452.6*360
Installation size (W*D*H mm)	/

Functional Selling Points

1. Easy insertion of 900-1200-wide cabinets.
2. Used for the classification and pull-out storage of waste.

KITCHEN SUPPLIES

Kitchen Accessories

Kitchen Supplies



**GZ6701-TC****Product Specifications**

Product category	Oppein cookware 2-piece set
Main material	Aluminium alloy + Teflon coating
Net weight (kg)	Wok 1.6kg, soup pot 1.2kg
Gross weight (kg)	4.7kg
Product configuration	Wok, soup pot
Size (H*W*D mm)	Wok 32cm, soup pot 24cm
Gift box size (H*W*D mm)	345*290*510mm
External box size (H*W*D mm)	720*530*610mm
Number of boxes	4 sets/ box

Functional Selling Points

1. Original beautiful appearance design;
2. Non-stick Teflon material, abrasion resistance and heat resistance;
3. One-piece stretching, no riveting process, no dead angle, easy to clean;
4. Multi-layer base, suitable for various cookers, easy to use.

**GJ807A-1****Product Specifications**

Product category	Oppein stainless steel wok
Main material	304 stainless steel, bakelite, tempered glass
Net weight (kg)	2.82kg
Gross weight (kg)	3.7kg
Product configuration	Glass lid, stainless steel body
Size (H*W*D mm)	320*94mm
Gift box size (H*W*D mm)	590*128*380mm
External box size (H*W*D mm)	596*395*776
Number of boxes	6 sets/ box

Functional Selling Points

1. Adopt honeycomb non-stick pattern and nano non-stick technology to achieve physical anti-adhesion and thus greatly reduce oil smoke;
2. 2200 honeycombs, increased honeycomb density, improved anti-adhesion, open honeycomb PRO without residue;
3. Easy to clean with one wipe, covered with honeycomb texture;
4. All stainless steel casting handle, fire resistance and high temperature resistance, sturdy and beautiful;
5. Micro-pressure lid for more pressure and faster cooking;
6. Three-layer stainless steel pressed steel under 200 tons of heavy pressure, without deformation at high temperature, thick and durable;
7. 304 food-grade composite steel with the thermal conductivity faster than that of iron, instant heating, energy saving and time saving.

**GZ6902-TC****Product Specifications**

Product category	Oppein cookware 3-piece set
Main material	304 stainless steel
Net weight (kg)	Wok 2.65kg, fry pan 1.23kg, milk pot 1.09kg
Gross weight (kg)	5.5kg
Product configuration	Wok, fry pan, milk pot
Size (H*W*D mm)	16cm milk pot: ø16*9cm 28cm fry pan: ø28*5.5cm 30cm fry pan: ø30*9cm
Gift box size (H*W*D mm)	455*223*535mm
External box size (H*W*D mm)	470*430*500mm
Number of boxes	2 sets/ box

Functional Selling Points

1. One-piece non-stick pan with three-layer steel, for even heating, less oil smoke produced, durable;
2. Strong scratch and abrasion resistance, stronger anti-adhesion;
3. Inner surface coated with a fine and smooth food-grade non-stick coating, providing a non-stick cooking experience;
4. Transparent rigid tempered glass lid with durable stainless steel edge, providing visual cooking pleasure;
5. Rapid and uniform magnetic heat conduction with three-layer steel, applicable for burners and induction cookers;

**GZ706A-1****Product Specifications**

Product category	Oppein cast iron single-handle wok (32cm)
Main material	Body material: Pig iron; Lid material: 304 stainless steel; Material of ear handle and handle: 202 stainless steel + silicone
Net weight (kg)	3kg
Gross weight (kg)	4kg
Product configuration	Stainless steel lid, cast iron body
Size (H*W*D mm)	320*215*613mm
Gift box size (H*W*D mm)	635*390*210mm
External box size (H*W*D mm)	660*430*450mm
Number of boxes	2 sets/ box

Functional Selling Points

1. Iron cookwares can be heated over a high flame, with aromatic stir-fry, low nutrient loss, wear-resistance and high durability, without fear of collision;
2. One-piece moulded body, made by high-purity pig iron die-casting, surface structure reorganized with a special process to form an oil film over a long time of use, making it less likely to be sticky;
3. Unique sealing design of steel arched lid for steam reflux, to maximize the retained food nutrients and make dishes more delicious and healthy;
4. Designed according to human body mechanics and heat transfer, built-in silicone handle connected to the U-shape body to minimise heat transfer, providing comfortable grip feeling;
5. Anti-drip pot edge design to keep the table and pan clean.

**GZ6602D****Product Specifications**

Product category	Oppein cast iron enamel pan
Main material	Iron
Net weight (kg)	5.8KG
Gross weight (kg)	6.3KG
Product configuration	Cast iron lid, cast iron body
Size (H*W*D mm)	240*118mm
Gift box size (H*W*D mm)	387*198*300mm
External box size (H*W*D mm)	407*315*425mm
Number of boxes	2pcs/ box

Functional Selling Points

1. Natural enamel material cast in one time, without interface, easy to clean, suitable for a variety of cookers and ovens, rapid heat transfer, lasting heat preservation, solid and durable;
2. "Self-circulating water bead design" facilitating water circulation and locking nutrients;
3. Safety and hygiene: Unique enamel porcelain, good effect of the heat preservation and refrigeration of food, strong resistance to acid and alkali;
4. Energy saving: Allow for low to medium heat cooking to save energy;
5. Healthy and keep original food flavour: The tightly fitting lid locks in heat and water vapour to maintain the original food flavour and achieve healthy cooking with less oil smoke;
6. Multi-purpose pot: steaming, boiling, stewing, baking, frying and deep-frying to meet your various needs, applicable for the oven.

**GZ6801C****Product Specifications**

Product category	Oppein stainless steel soup pot
Main material	304 stainless steel
Net weight (kg)	2.2KG
Gross weight (kg)	2.8KG
Product configuration	Glass lid, stainless steel body
Size (H*W*D mm)	240*120mm
Gift box size (H*W*D mm)	400*180*320mm
External box size (H*W*D mm)	415*195*660mm
Number of boxes	4pcs/ box

Functional Selling Points

1. Quality pot without coating, no coating healthy material;
2. Rapid heat conduction to evenly heat the food;
3. German spot welding technology, no rivet design, all steel handle, solid and easy to clean;
4. Tempered glass lid, enabling you to enjoy visual cooking fun;
5. Tightly closed but not sealed, fitting the pot opening edge without water dripping, micro-pressure simmering to make the soup fragrant.

**GZ6801N****Product Specifications**

Product category	Oppein stainless steel milk pot set (one-layer steamer)
Main material	304 stainless steel
Net weight (kg)	1.42KG
Gross weight (kg)	2.04KG
Product configuration	Glass lid, 304 stainless steel steamer, 304 stainless steel body
Size (H*W*D mm)	160*235mm
Gift box size (H*W*D mm)	410*220*205mm
External box size (H*W*D mm)	480*435*455mm
Number of boxes	6pcs/ box

Functional Selling Points

1. 304 food-grade stainless steel material, safe and healthy;
2. Environmental friendly high-temperature spraying, beautiful appearance, not easy for paint to fall off;
3. Anti-scalding handle, ergonomic design, comfortable grip;
4. Multi-functional steamer for the top steaming and bottom cooking.

**DJ6C-TC****Product Specifications**

Product category	Oppein Berlin 5-piece knife set
Main material	5cr15MOV, fraxinus mandshurica
Net weight (kg)	2.9kg
Gross weight (kg)	3.8kg
Product configuration	Slicing knife, chef knife, all-purpose knife, fruit knife, knife holder
Size (H*W*D mm)	Slicing knife: 82*306mm, chef knife: 47*300mm, all-purpose knife: 42*330mm, fruit knife: 30*247mm, knife holder: 145*145*242mm
Gift box size (H*W*D mm)	275*215*391mm
External box size (H*W*D mm)	556*436*406mm
Number of boxes	4 sets/ box

Functional Selling Points

1. Blades made of 5cr15MOV steel better than general material, more than doubled sharpness and durability of blades, making it easy to cut beef tendon;
2. Blade edging angle of 16 degrees. The smaller the angle is, the sharper the knife is;
3. Special high-precision double-sided bevel grinding treatment of the knife surface. The smaller the angle is, the lower the resistance is to cutting food;
4. Precious fraxinus mandshurica knife holder, tough and extremely flexible, sunken design, stable knife body when being inserted into the slot;
5. Casting handle with high hardness, dense structure, abrasion resistance and anti-corrosion, mirror polishing, human body mechanics design, comfortable grip.

**DJ6B-TC****Product Specifications**

Product category	Oppein Hammer-tone forged knife 3-piece set
Main material	30Cr13, color wood
Net weight (kg)	0.71kg
	1.13kg
Gross weight (kg)	Slicing knife, chef knife, fruit knife
Product configuration	Wok, fry pan, milk pot
Size (H*W*D mm)	Slicing knife: Total length 313mm blade length 182mm Chef knife: Total length 302mm blade length 168mm Fruit knife: Total length 232mm blade length 122mm
Gift box size (H*W*D mm)	353*205*32mm
External box size (H*W*D mm)	425*365*280mm
Number of boxes	16 sets/ box

Functional Selling Points

1. Knife body carefully made of 30Cr13 stainless steel, wear-resistance and anti-corrosion, high hardness and good toughness.
2. Handle with ergonomic design to provide more comforts and safer use.
3. Novel forging process to achieve the air circulation and reduce friction between the ingredients and the knife surface.

**CQTM-TC****Product Specifications**

Product category	Oppein Impression Milan tableware set
Main material	Songfa moonlight porcelain
Net weight (kg)	4.6kg
Gross weight (kg)	5.1kg
Product configuration	4.75" bowl*6pcs/7.8" soup plate*4pcs/8.5" soup plate*2pcs/8" soup bowl*1pcs/3.75" bowl*4pcs/ small soup spoon*4pcs/large spoon*1pcs
Size (H*W*D mm)	4.75" bowl: 117*117*60mm, 7.8" soup plate: 195*195*40mm 8.5" soup plate: 223*223*44mm, 8" bowl: 200*200*95mm 3.75" bowl: 98*98*55mm, Two curved spoons: 226*70*45mm Three curved spoons: 130*40*40mm
Gift box size (H*W*D mm)	390*282*302mm
External box size (H*W*D mm)	410*300*320mm
Number of boxes	1 set/ box

Functional Selling Points

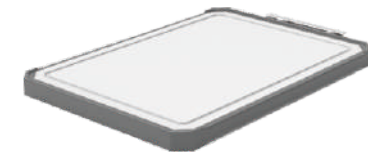
1. High-temperature refined porcelain, bright glaze with natural beauty, delicate hand applique process.
2. Full polished glaze process, high density, hardness, durable and easy to clean.
3. Simple and elegant flower design, matched with Chinese and Western home decoration style.
4. Geometric linear pattern design perfectly matched with the 3D vessel shape, showing a noble fashion.

**DJC-TC****Product Specifications**

Product category	Phantom sterilization knife set
Main material	3Cr13 stainless steel\ABS
Net weight (kg)	1.308kg
Gross weight (kg)	1.59kg
Product configuration	Boning knife + slicing knife + chef knife + knife holder
Size (H*W*D mm)	154*255mm
Gift box size (H*W*D mm)	235*165*355mm
External box size (H*W*D mm)	515*487*372mm
Number of boxes	6 sets/ box

Functional Selling Points

1. Made of ABS material, high hardness, impact resistance, wear resistance, high and low temperature resistance, can be used normally in the range of -40-85 degrees.
 2. UV sterilization function with sterilization rate of up to 99.9%.
 3. PTC + fan constant temperature hot air drying function at the temperature up to 70 degrees to rapidly remove knives and cutlery surface moisture, without breeding space for bacteria, to prevent rusting of knives.
- Knife functional selling points:
1. 30Cr13 stainless steel plate, strong anti-rust, high hardness, durable sharpness.
 2. high-temperature quenching and ultra-low-temperature tempering process, corrosion resistance and good toughness.
 3. Sharper and more durable with CNC edging process.
 4. Skin-friendly non-slip handle, providing softer and comfortable touch.
- Environmentally friendly material, halogen-free, non-toxic and odorless.

**ZBT6001****Product Specifications**

Product category	Oppein stainless steel double-sided chopping board
Main material	304 stainless steel, food-grade PP
Net weight (kg)	2.36KG
Gross weight (kg)	2.7KG
Product configuration	Front: 304 stainless steel; Reverse: food-grade PP
Size (H*W*D mm)	450*310*20mm
Gift box size (H*W*D mm)	458*319*29mm
External box size (H*W*D mm)	466*325*255mm
Number of boxes	6pcs/ box

Functional Selling Points

1. Double-sided stainless steel cutting board, 304 stainless steel panel + food-grade PP surface + 201 stainless steel handle; double-sided available. Raw food and cooked food are cut separately.
2. 304 stainless steel panel, direct contact with ingredients, not easy to breed bacteria, to avoid the disadvantages of ordinary cutting board, safe and hygienic.
3. Food-grade PP panel, direct contact with the ingredients, not easy to breed bacteria, to avoid the disadvantages of ordinary bamboo cutting board, health and hygiene; no knife crack when chopping bones, non-slip surface pattern food-grade non-slip rubber edging, health and safety.
4. Cutting board not easy to be penetrated or hide dirt, original nature material not easy to produce odor and easy to clean.
5. Overflow-proof concave sink, always to keep the kitchen neat and hygienic.
6. Hangable handle without mold.

**ZBW001****Product Specifications**

Product category	Oppein solid wood chopping board
Main material	Walnut wood + stainless steel
Net weight (kg)	2.2kg
Gross weight (kg)	2.55kg
Product configuration	/
Size (H*W*D mm)	400*25*300mm
Gift box size (H*W*D mm)	405*32*312mm
External box size (H*W*D mm)	417*266*327mm
Number of boxes	8 sets/ box

Functional Selling Points

1. Use walnut wood to prevent from being damp, moldy or cracked;
2. High hardness, no wood chips
3. Cutting board not easy to be penetrated or hide dirt, original nature material not easy to produce odor and easy to clean;
4. Three-layer water barrier treatment. Three-layer vegetable oil care before leaving the factory to form a protective film on the surface to reduce water intrusion;
5. No paint, wax or formaldehyde, food safety test passed;
5. Overflow-proof concave surface, always to keep the kitchen neat and hygienic.

**CJ6G-TC****Product Specifications**

Product category	Oppein cookware 5-piece set
Main material	PBT-L modified pc
Net weight (kg)	0.375kg
Gross weight (kg)	0.55kg
Product configuration	Pasta spoon, slotted spoon, slotted turner, soup spoon, potato masher
Size (H*W*D mm)	104*328mm
Gift box size (H*W*D mm)	120*107*342mm
External box size (H*W*D mm)	700*380*465mm
Number of boxes	24 sets/ box

Functional Selling Points

1. PBT modified plastic with good chemical stability and high heat resistance.
2. Cookware set for easy storage, handle-end perforation design to produce storage space;
3. Resistant to high temperature of 210°C, suitable for all kinds of kitchenware.

**CQTT-TC****Product Specifications**

Product category	Oppein chopsticks set
Main material	PPS
Net weight (kg)	0.15kg
Gross weight (kg)	0.2kg
Product configuration	Five-pair set + beautiful gift box
Size (H*W*D mm)	242*7*7mm
Gift box size (H*W*D mm)	255*135*23mm
External box size (H*W*D mm)	522*415*245mm
Number of boxes	60 sets/ box

Functional Selling Points

1. Made of PPS material with high hardness, not easy to corrode or deform, high strength and wear resistance;
2. High temperature resistance up to 260 degrees for sterilization, no problem of clipping the dishes directly from the pots and pans;
3. Frosted chopstick tip to prevent slippage when clipping food;
4. No paint, no wax, no odor;
5. A pair of chopsticks for one person. Enjoy a healthy meal with your own chopsticks.

**CJ6G-TC****Product Specifications**

Product category	Oppein Gamig cookware 3-piece set
Main material	SUS304\SUS201
Net weight (kg)	0.63kg
Gross weight (kg)	0.89kg
Product configuration	Soup spoon, slotted spoon, turner
Size (H*W*D mm)	Soup spoon: 85*340mm, slotted spoon: 113*345mm turner: 110*340mm
Gift box size (H*W*D mm)	182*130*374mm
External box size (H*W*D mm)	535*380*393mm
Number of boxes	8 sets/ box

Functional Selling Points

1. Made of high-quality stainless steel, anti-corrosion, easy to clean, strong and durable;
2. Human mechanics design and fashionable shape, showing exquisite high-grade style;
3. Originated from Europe and US design style, integration of exquisite production technology, highlighting good taste.

**CJ6F-TC****Product Specifications**

Product category	Oppein cookware 6-piece set
Main material	Body: 304 stainless steel, handle: 201 stainless steel
Net weight (kg)	0.98kg
Gross weight (kg)	1.3kg
Product configuration	Turner, soup spoon, frying turner, slotted spoon, pasta spoon, rice spoon
Size (H*W*D mm)	Turner diameter 99*380mm, slotted spoon diameter 123*380mm, rice spoon diameter 80*300mm, frying turner diameter 80*385mm, pasta spoon diameter 85*345mm, soup spoon diameter 96*360mm
Gift box size (H*W*D mm)	320*130*400mm
External box size (H*W*D mm)	648*526*415mm
Number of boxes	15 sets/ box

Functional Selling Points

- 304 stainless steel material, high temperature resistance, abrasion resistance, strong corrosion resistance
- Handle hook design to be hung in any kitchen corner, saving space.
- Round and smooth handle processed by repeatedly grinding, without hurting the hand.
- Thickened handle to insulate heat and prevent scald.
- Made of thicker material, not easy to crack, long service life.
- Matte wire drawing surface treatment, providing comfortable grip.

**CY-GWF-TC****Product Specifications**

Product category	Oppein kitchen stainless steel tool 6-piece set
Main material	304 stainless steel
Net weight (kg)	0.366kg
Gross weight (kg)	0.7kg
Product configuration	Opener (beer opener), vertical peeler + scale scraper, dish clip, triangle melon scraper, egg beater, ginger floss grater
Size (H*W*D mm)	1 dish clip: 43*180mm, egg beater: 40*255mm, vegetable grater: 58*270mm, vertical peeler: 20*200mm, multi-purpose opener: 30*180mm, peeler: 46*178mm
Gift box size (H*W*D mm)	315*292*55mm
External box size (H*W*D mm)	685*330*605mm
Number of boxes	24 sets/ box

Functional Selling Points

- High tonnage square-type side pressing process, thick, durable and also beautiful.
- Made of high-quality bamboo of Wuyi Mountain, without any chemical treatment, strong and durable, insect-resistant and anti-corrosion, healthy and non-polluting.

**CY-GWB-1-TC****Product Specifications**

Product category	Oppein kitchen stainless steel tool 3-piece set
Main material	SUS304\SUS201
Net weight (kg)	0.19kg
Gross weight (kg)	0.26kg
Product configuration	Dish clip, bottle opener, peeler
Size (H*W*D mm)	Dish clip: 34*174mm, peeler: 46*178mm, bottle opener: 38*185mm
Gift box size (H*W*D mm)	210*210*45mm
External box size (H*W*D mm)	460*435*215mm
Number of boxes	20 sets/ box

Functional Selling Points

- Dish clip with double bayonet design, to clip different shapes of dishes.
- Peeler knife edge using stainless steel double wide-mouth polishing treatment, with movable rotation angle of 60°, to simply use.
- Multi-purpose bottle opener for opening soft drink, beer and other glass bottle, the top can opener to easily open the can.

**CW6D-TC****Product Specifications**

Product category	Oppein kitchen tool 9-piece set
Main material	304 stainless steel, 420J2, silicone, PP, 430
Net weight (kg)	0.6kg
Gross weight (kg)	0.75kg
Product configuration	Peeler, dish clip, ginger floss grater, egg beater, triangle grater, opener, pizza turner, pizza wheel, ice cream spoon
Gift box size (H*W*D mm)	510*325*55mm
External box size (H*W*D mm)	690*520*455mm
Number of boxes	16 sets/ box

Functional Selling Points

- Original anti-slip handle design, easy to apply force, hook design for easy storage.
- Peeler made of 430 stainless steel to quickly peel thin skin, without waste of fruit and vegetable flesh.
- Grater for fast shredding and uniform thickness. Non-slip front bar designed for easy use.
- Opener: For opening cans and lifting lids.
- Dish clip: Double clamping mouth, with various clamping options. For clipping plates and stew cups and also opening bottles, wear-resistant and rust-proof 430 material, not easy to deform.
- Egg beater: Mix eggs quickly, evenly and finely. Durable and easy to clean.
- Fruit knife and knife cover, safe and easy to store. Fruit knife to easily remove the core, without tiring hands.
- Garlic press: Press the garlic grains evenly and finely. 430 stainless steel.
- Wine bottle opener easy to use, sturdy and durable. Sharp drill bit, not easily deformed.
- Walnut cracker: Thicker design, more solid and not easy to break. Suitable for various nuts.

**GWF-TC****Product Specifications**

Product category	Oppein cooking tool 7-piece set
Main material	Oil & vinegar bottle: PP+soda lime glass Knife sharpener: ABS+TPE+tungsten steel+adamantine rod+ceramic rod+rotating ceramic blade Cookware set: PBT-L modified PC
Net weight (kg)	1kg
Gross weight (kg)	1.3kg
Product configuration	Knife sharpener, 5-piece cookware set, oil & vinegar bottle
Size (H*W*D mm)	Knife sharpener: 188*51*116mm, oil & vinegar bottle: 87*70*243mm 5-piece cookware set: 104*328mm
Gift box size (H*W*D mm)	210*130*345mm
External box size (H*W*D mm)	540*244*346mm
Number of boxes	16 sets/ box

Functional Selling Points

- Oil & vinegar bottle: Beautiful appearance design, 304 stainless steel spout, anti-drip hanging design, automatic switching without efforts, non-slip bottle bottom not easy to fall down, non-slip silicone grip design.
- Knife sharpener: Used as a knife or scissors, to sharpen ordinary knives, scissors and serrated knives with high-quality grinding core, tungsten content of 95%, high-quality emery and ceramic rods, ABS senior environmental protection plastic, non-toxic, harmless and odourless, more ergonomic TPE with comfortable grip. The brand is endorsed by cookware industry giants such as SSGP and TAYLOR. Exclusive self-developed design, without patent problems.
- 5-piece cookware set: PBT-L modified pc, with good chemical stability and high heat resistance.

**GWR-TC****Product Specifications**

Product category	Oppein kitchen multifunctional cooker
Main material	PC+ABS+PP+TPR+POM+420+301 (for food contact)
Net weight (kg)	0.142kg
Gross weight (kg)	0.192kg
Product configuration	/
Size (H*W*D mm)	92*92*72mm
Gift box size (H*W*D mm)	100*100*90mm
External box size (H*W*D mm)	530*420*235mm
Number of boxes	50pcs/ box

Functional Selling Points

- 20Cr13 blade, sharp and durable.
- Garlic, ginger, chillies and meat can be minced; 3. Durable nylon rope;
4. 3 blades removable and washable, no water in the lid, special for stirring auxiliary food, meat and vegetables.

**CW6D-TC****Product Specifications**

Product category	Oppein 4-piece set of oil & vinegar bottles and seasoning jars
Main material	Oil & vinegar bottles: PP+soda lime glass, seasoning jars: ABS+high borosilicate glass
Net weight (kg)	Oil & vinegar bottles: 428.9g*2, seasoning jars: 240g*2
Gross weight (kg)	2kg
Product configuration	Oil & vinegar bottles*2, seasoning jars*2
Size (H*W*D mm)	Oil & vinegar bottles: 243*87*70mm, seasoning jars: 90mm*110mm
Gift box size (H*W*D mm)	205*100*368mm
External box size (H*W*D mm)	430*320*393mm
Number of boxes	6 sets/ box

Functional Selling Points

- Beautiful appearance design.
- 304 stainless steel spout, anti-drip hanging design.
- Automatic switching without efforts.
- Non-slip bottle bottom not easy to fall down.
- Non-slip silicone grip design.
- Built-in silicone gaskets in the lid of the seasoning jars for sealed storage, suitable for a variety of food storage.
- Jars easy to be stored in the cupboard drawer; one lid with double mouths with small mouth for easy pouring and large mouth for easy access to ingredients.
- High borosilicate glass is clean, transparent, green and environmentally friendly, with even wall thickness, and can be placed in the refrigerator freezer for refrigeration.

**GWV****Product Specifications**

Product category	Oppein kitchen mechanical timer
Main material	Stainless steel
Net weight (kg)	0.129kg
Gross weight (kg)	0.149kg
Product configuration	/
Size (H*W*D mm)	60*60*75mm
Gift box size (H*W*D mm)	67*67*85mm
External box size (H*W*D mm)	350*350*185mm
Number of boxes	50pcs/ box

Functional Selling Points

- Mechanical inner core, no need for batteries, comfortable to use.
- Stainless steel base material, clear scale, brushed metal texture, fashionable appearance.
- Fun bionic egg shape, enjoy your life.

**DP18****Product Specifications**

Product category	Functional purification basket
Main material	345*251*190mm

Functional Selling Points

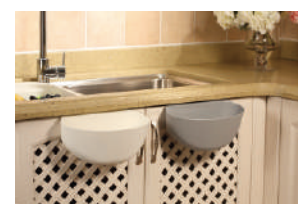
1. Platinum Plated Titanium ion generator producing electrolytic water without ozone hazard;
2. It can remove pesticide residues, perform disinfection and sterilize according to the test of Guangdong Microbiological Analysis and Testing Center;
3. The product has obtained several national invention patents;
4. 24V low voltage power supply, safe and easy to operate.

**GWGA****Product Specifications**

Product category	Oppein glass preservation bowl
Main material	(bowl body)glass, (bowl lid)food-grade PP, silicone
Net weight (kg)	0.382kg
Gross weight (kg)	0.447kg
Product configuration	Bowl body + lid
Size (H*W*D mm)	141*141mm
Gift box size (H*W*D mm)	165*150*68mm
External box size (H*W*D mm)	745*340*400mm
Number of boxes	50pcs/ box

Functional Selling Points

1. Glass bowl, hygienic and easy to clean;
2. Lid with air hole design, food-grade PP, safe, sanitary and environmental friendly;
3. Wide edge design to increase the contact surface of silicone strip and glass, with good sealing effect and excellent leak-proof performance.

**CWPG-1-TC****Product Specifications**

Product category	Oppein door-side hanging storage bin 2-piece set
Main material	PP, thickness: 3mm, product capacity: 2.8L
Net weight (kg)	0.66
Gross weight (kg)	0.9
Product configuration	Storage bin*2
Size (H*W*D mm)	295*160*130mm
Gift box size (H*W*D mm)	320*175*180mm
External box size (H*W*D mm)	895*655*740mm
Number of boxes	40 sets/ box

Functional Selling Points

1. Open the sink cabinet door and gently hang it to make it a compact rubbish or fruit & vegetable storage bin;
2. Hung on the hanging bar when not in use;
3. Two different coloured storage bins for classification of clean ingredients and kitchen waste, more user-friendly.

**CWPB****Product Specifications**

Product category	Oppein evacuation preservation box
Main material	PP
Net weight (kg)	0.266kg
Gross weight (kg)	0.311kg
Product configuration	/
Size (H*W*D mm)	1000ml
Gift box size (H*W*D mm)	190*130*95mm
External box size (H*W*D mm)	275*205*305MM
Number of boxes	6pcs/ box

Functional Selling Points

1. Moisture/bacteria/oxidation proof;
2. Vacuum preservation for 7 days, meeting the needs of taking meals out, or storing nuts and snacks for a long time as a multi-functional storage box;
3. Integrated vacuum design, no need for external pumping, convenient use;
4. Toggle the one-way valve to decompress and open the lid when using, easy to operate.

**LXQN-TC****Product Specifications**

Product category	Oppein enjoy all-inclusive set
Main material	Aluminium, PC, stainless steel, ceramic, PP, PPS+glass fibre
Net weight (kg)	12.35kg
Gross weight (kg)	13.5kg
Product configuration	Oppein GZ6701-TC cookware 2-piece set, Oppein CJ6G-TC cookware 5-piece set, Corning CQTS-TC cutlery 12-piece set, Oppein DJ6B-TC hammer-tone forged knife 3-piece set, Oppein CQTS-TC chopsticks set (5 pairs), Oppein ZBT6001 stainless steel double-sided chopping board
Size (H*W*D mm)	/
Gift box size (H*W*D mm)	545*385*515mm
External box size (H*W*D mm)	/
Number of boxes	1 set/ box

Functional Selling Points

1. Take the food into the kitchen, with all cookwares available to make meals;
 2. 28 pieces in the set, including 7 beautiful gift boxes to meet various gift needs;
- In-store gift (chopsticks, 5-piece cookware set)
Deposit gift, smashing golden eggs (cookwares, knives, cutlery)
Great gift (whole package for free).

**LHJP-TC****Product Specifications**

Product category	Oppein happy living boutique set
Main material	Polyester, new bone china, stainless steel
Net weight (kg)	7.5kg
Gross weight (kg)	8.5kg
Product configuration	Oppein GJ807A stainless steel frying pan, Corning CQTS-TC cutlery 12-piece set, Oppein DJ6B-TC hammer-tone forged knife 3-piece set, Oppein WQDG apron
Size (H*W*D mm)	/
Gift box size (H*W*D mm)	545*390*315mm
External box size (H*W*D mm)	/
Number of boxes	1 set/ box

Functional Selling Points

1. Take the food into the kitchen, with all cookwares available to make meals;
 2. 17 pieces in the set, including 4 beautiful gift boxes to meet various gift needs;
- In-store gift (apron)
Deposit gift, smashing golden eggs (cookwares, knives, cutlery)
Great gift (whole package for free).

**GW6A-TC****Product Specifications**

Product category	Oppein bakery tool 11-piece set
Main material	304 stainless steel, silicone, beech wood, PP, carbon steel
Net weight (kg)	2.32KG
Gross weight (kg)	2.8KG
Product configuration	Heatproof gloves, silicone brush, silicone spatula, mixing bowl, dough stick, dough mat, electronic scale, 6-compartment cake pan, pizza pan, toast mould, electric egg beater
Size (H*W*D mm)	/
Gift box size (H*W*D mm)	403*229*316mm
External box size (H*W*D mm)	482*419*350mm
Number of boxes	2 sets/ box

Functional Selling Points

1. Baking pan: High quality carbon steel, good hardness, good texture, good thermal conductivity, even heating, solid, durable, not easy to deformation, non-stick coating food can be put, obvious anti-adhesion, easy and convenient demoulding, high temperature resistance, safe for baking, easy to clean;
2. Silicone products: food-grade silicone, odourless, 230° high temperature resistant, one-piece type, easy to clean, soft material without damaging appliances;
3. DH1006 Hayward egg beater: DC motor, strong power, less heat; wireless configuration, one key for adjusting three-level speeds; double stick configuration to handle all kinds of gourmet food;
4. Electronic scale: high precision weighing, a battery life of 3 months, more durable;
5. Mixing bowl: 304 food contact grade material, safe and healthy, anti-slip bottom silicone, configured with ergonomic side ears, easy to use.

**WQDF-TC****Product Specifications**

Product category	Oppein parent-child apron set
Main material	Polyester + metal buckle + microfiber leather label + L34L30.L35
Product configuration	Adult apron, child apron
Size (H*W*D mm)	Adult apron: 660*750mm, child apron: 450*550mm
Gift box size (H*W*D mm)	160*50*240mm
External box size (H*W*D mm)	770*335*250mm
Number of boxes	30 sets/ box

Functional Selling Points

1. Well-designed shoulder strap adjuster, comfortable to wear;
2. Pocket design, convenient to temporarily store small items, practical and beautiful;
3. Cartoon pattern custom design, fashionable and lovely, highlighting the family harmony and happiness;
4. Logo-embossed leather pattern, showing fashion style.

**WQDG****Product Specifications**

Product category	Oppein apron
Main material	Polyester + metal buckle + microfiber leather label
Net weight (kg)	0.232kg
Gross weight (kg)	0.232kg
Product configuration	/
Size (H*W*D mm)	660*750mm
Gift box size (H*W*D mm)	160*30*240mm
External box size (H*W*D mm)	470*335*250mm
Number of boxes	30pcs/box

Functional Selling Points

1. Well-designed shoulder strap adjuster, comfortable to wear;
2. Pocket design, convenient to temporarily store small items, practical and beautiful;
3. Multi-pockets reasonable design combined with hard ware and microfiber showing fashion style, soft, skin-friendly and comfortable fabric;
4. Logo-embossed leather pattern, showing fashion style.

**CWSA-TC****Product Specifications**

Product category	Oppein intelligent induction environmental bucket
Main material	304 stainless steel, ABS
Net weight (kg)	1.95kg
Gross weight (kg)	2.54kg
Product configuration	Inner bucket + outer bucket + lid
Size (H*W*D mm)	240*240*345mm
Gift box size (H*W*D mm)	275*275*398mm
External box size (H*W*D mm)	568*568*430mm
Number of boxes	4pcs/ box

Functional Selling Points

1. Newly upgraded charging flagship chip, 100,000+ times silent switching test, durable without noises;
2. Adopt infrared sensor, multi-directional detection, infrared automatic sensing within 0.3 seconds, accurate switching;
3. Adapted to the user's height or use habits. Adjustable three-level height without touching the bucket. Keep away from bacteria;
4. Frameless full cover design, no gaps without fear of water drenching. Quality 304 stainless steel, stain and fingerprint resistant design;
5. Double-bucket, inner bucket covered with a rubbish bag and stuffed with a storage ring, outer bucket covering the excess part, showing beautiful and clean appearance.

**CWSB-TC****Product Specifications**

Product category	Oppein induction environmental bucket (12 litres)
Main material	PP+ABS+metal Ss410+ 18650 lithium battery
Net weight (kg)	2.5kg
Gross weight (kg)	3.3kg
Product configuration	Inner bucket + outer bucket + lid
Size (H*W*D mm)	280*192*400mm
Gift box size (H*W*D mm)	315*225*445mm
External box size (H*W*D mm)	650*470*465mm
Number of boxes	4 sets/ box

Functional Selling Points

1. Touch-free induction opening, automatic lid closing in case of silence;
2. Switch by two modes of hand sensor/touch;
3. Soft light digital display panel showing clear status;
4. Anti-fingerprint process;
5. Built-in deodorant box to freshen the air;
6. Micro-B port, charged via USB or used being directly plugged in.

**DT001****Product Specifications**

Product category	Oppein welcome floor mat
Main material	Floor mat - Polypropylene fabric, waterproof PVC, tatami stitching; Handbag - 300g white cardboard
Net weight (kg)	0.85kg
Gross weight (kg)	0.93kg
Product configuration	Floor mat*1, handbag*1
Size (H*W*D mm)	Product size: 60*90CM, 8mm thick handbag size: 60*10*10CM
Gift box size (H*W*D mm)	100*100*600mm
External box size (H*W*D mm)	900*600*200mm
Number of boxes	20 sheets/box

Functional Selling Points

1. Exquisite fabrics, multi-layer fuzzy design;
2. Polypropylene suede material with good water absorption, not afraid of water stains on the shoes bottom;
3. No slipping on the 45 degree inclined surface, waterproof and non-slip PVC on the back.

**GWT****Product Specifications**

Product category	Oppein umbrella
Main material	Umbrella surface coating: matt vinyl, rod material: glass fibre
Net weight (kg)	0.443kg
Gross weight (kg)	0.45kg
Product configuration	/
Size (H*W*D mm)	Unfolded width: 1030mm, unfolded height: 620mm
Gift box size (H*W*D mm)	/
External box size (H*W*D mm)	340*280*240mm
Number of boxes	20pcs/ box

Functional Selling Points

1. Matte vinyl umbrella surface with 99% UV protection, providing an additional layer for sun protection;
2. Umbrella for sunshine and rain, glass fibre skeleton with super wind resistance, nano waterproof umbrella surface, with lotus leaf effect, quickly dry in one shake;
3. Oppein Logo, convenient for terminal brand promotion.

